

产品说明 Product Description:

1.表面处理 Surface treatment:

电镀Sn(雾锡) Matte tin plating

2.外观 Appearance:

>30CM距离, <5S目视, 无腐蚀、刮伤、氧化

No corrosion, scratches, oxidation on surface

Inspection condition:

Inspect from >30cm away and for <5 seconds

3.盐雾测试 Salt spray test:

24h, 等级7级(GB)

24 hours, grade 7 (GB)

4.环保: 符合ROHS&REACH

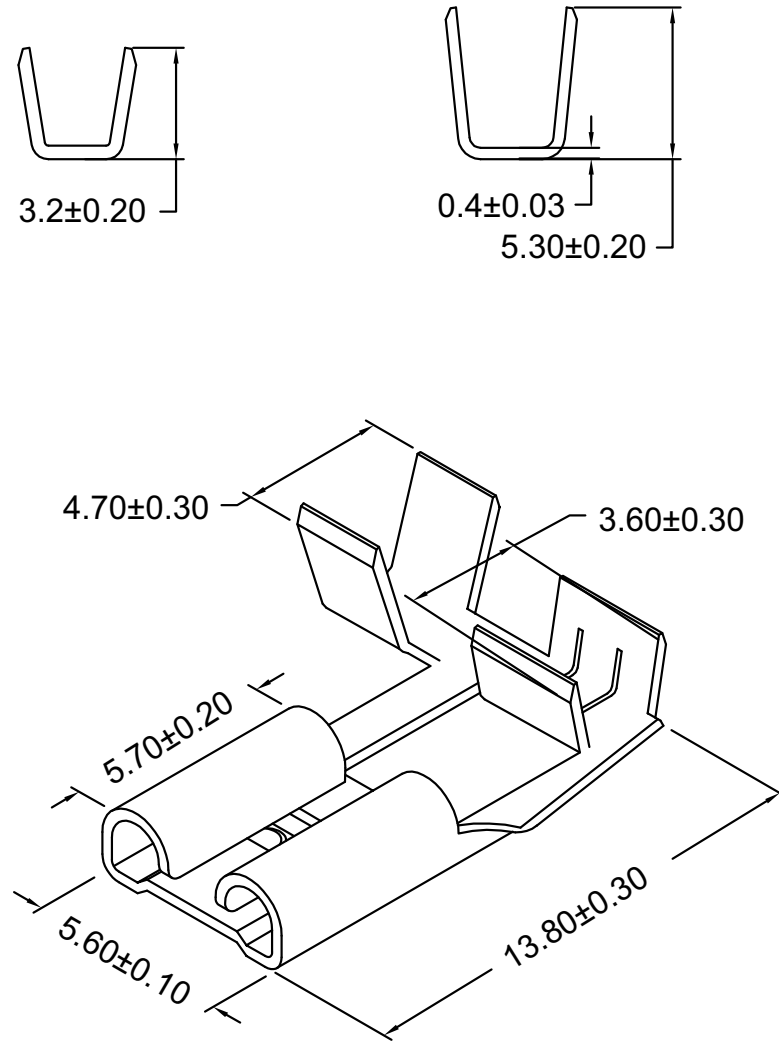
RoHS&REACH compliance: Yes

5.電線導體規格

Conductor :14~18 AWG

6.包裝數量

Packing Q'TY :4000 PCS/Reel



RoHS Compliant

TOLERANCES ARE

MORETHANALL
PCB CONNECTORS
Cable ASSEMBLIES

DRAWING BY CY

CHECKED BY GENIUS

UNIT / mm

SCALE 1 : 1

DATE

SIZE A4

PPOJECTION

X, ±
.X ± 0.20
.XX ± 0.10
.XXX ± 0.05
ANG ±

照片框

ORDER INFORMATION

Q187-GT8-14-LF

SERIES

LEADFREE

14~18AWG

0.8t

TERMINAL

FLAG

煜倫股份有限公司

www.morethanall.com

DESCRIPTION: