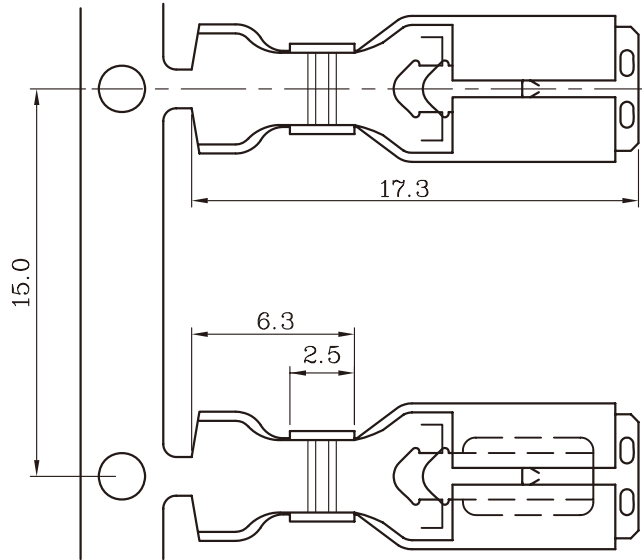


NOTE:

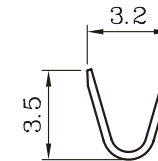
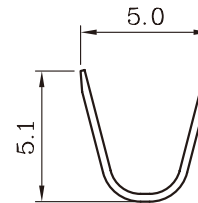
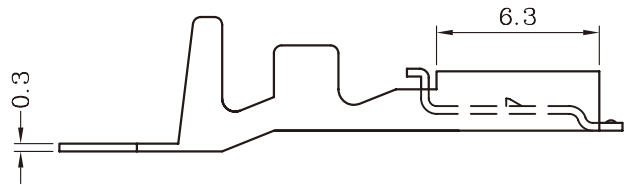
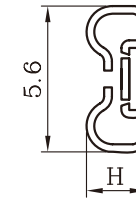
1. 表面處理  
鍍錫 40u"以上

1.SURFACE TREATMENT:  
TIN PLATING  
THICKNESS MORE THAN 40u"



2.57	TAB: 0.8t	Q187-FT8LS-16	預鍍錫 PRE-TIN
2.42	TAB: 0.5t	Q187-FT5LS-16	預鍍錫 PRE-TIN
DIM D	MATING PART	PART NO.	FINISH

料厚 0.3  
THICKNESS  
適用電線 18~16  
WIRE RANGE  
包裝數量 3500 PCS/R  
PACKING Q'TY  
0.8~1.3kg 8kg以上  
插入力 拉拔力  
INSERTED FORCE TEASILE FORCE



RoHS Compliant

TOLERANCES ARE

**MORETHANALL**  
PCB CONNECTORS  
Cable ASSEMBLIES

煜倫股份有限公司

www.morethanall.com

DRAWING BY CY

CHECKED BY GENIUS

UNIT / mm SCALE 1:1

DATE

SIZE A4

X.±  
.X±  
.XX±  
.XXX±  
ANG±

PJECTION

照片框

ORDER INFORMATION

Q187-FTxLS-16-LF  
SERIES LEADFREE  
16-18 AWG  
SPRING  
FEMALE LOCKING  
TERMINAL 5:THICKNESS 0.5mm  
8:THICKNESS 0.8mm

DESCRIPTION: