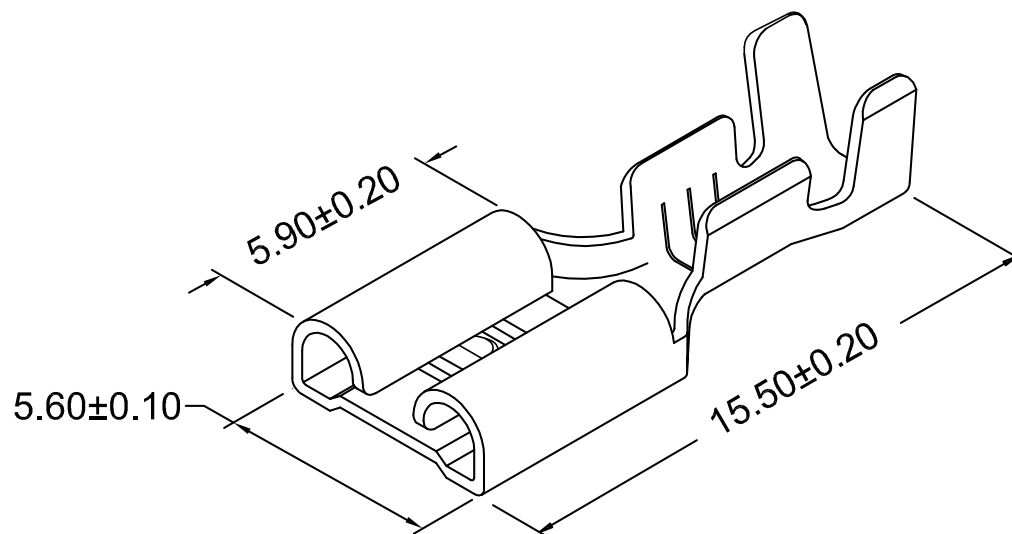
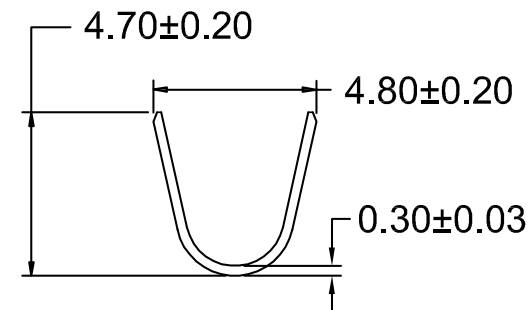
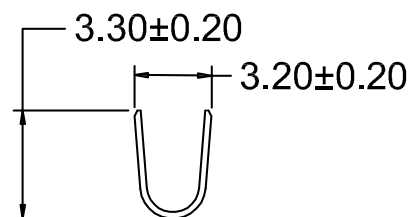


产品说明 Product Description:

- 1.表面处理 Surface treatment :
电镀Sn(雾锡) Matte tin plating
- 2.外观 Appearance:
>30CM距离, <5S目视, 无腐蚀、刮伤、脏污
No corrosion, scratches, Dirt on surface
Inspection condition:
Inspect from >30cm away and for <5 seconds
- 3.盐雾测试 Salt spray test:
24h, 等级7级(GB)
24 hours, grade 7 (GB)
- 4.环保: 符合ROHS&REACH
RoHS&REACH compliance: Yes
- 5.备注 Note:
拉力测试: 首次拔出力2.3~9.1kg

电线导体规格
Conductor 16~20AWG

包装数量
Packing Q' TY 10000Pcs/Reel



RoHS Compliant

TOLERANCES ARE

MORETHANALL
PCB CONNECTORS
Cable ASSEMBLIES

DRAWING BY CY

X. ±
.X ± 0.20
.XX ± 0.10
.XXX ± 0.05
ANG ±

CHECKED BY GENIUS

UNIT / mm SCALE 1 : 1

DATE

SIZE A4

PPOJECTION

照片框

ORDER INFORMATION

Q187-FT8-16-LF

SERIES | | | LEADFREE
16-20 AWG
THICKNESS 0.8mm
TERMINAL
FEMALE

煜倫股份有限公司

www.morethanall.com

DESCRIPTION: