

产品说明 Product Description:

1.表面处理 Surface treatment :

素材 None

2.外观 Appearance:

>30CM距离, <5S目视, 无腐蚀、刮伤、氧化
No corrosion, scratches, oxidation on surface

Inspection condition:

Inspect from >30cm away and for <5 seconds

3.环保: 符合ROHS&REACH

RoHS&REACH compliance: Yes

4.备注 Note:

拉力测试: 首次拔出力2.3~9.1kg

电线导体规格

Conductor 16~20AWG

材质

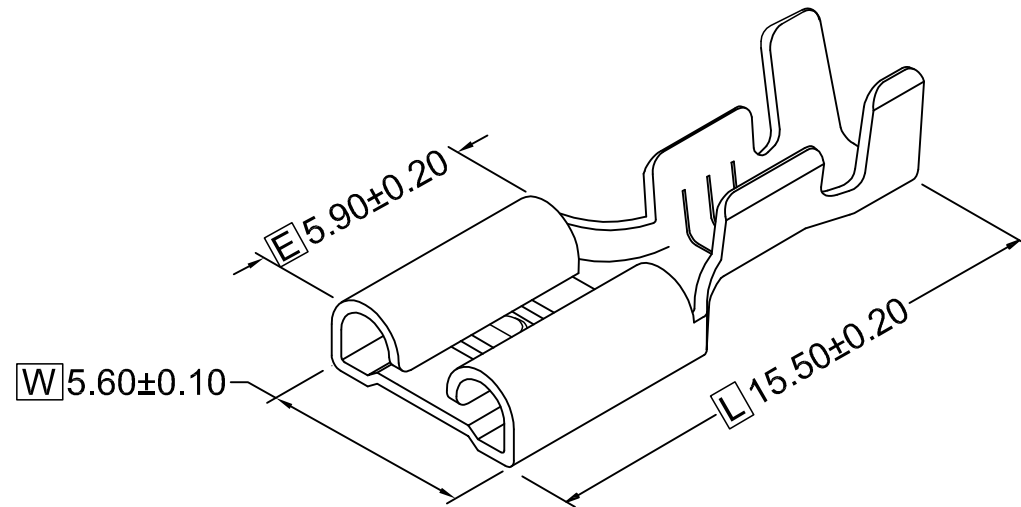
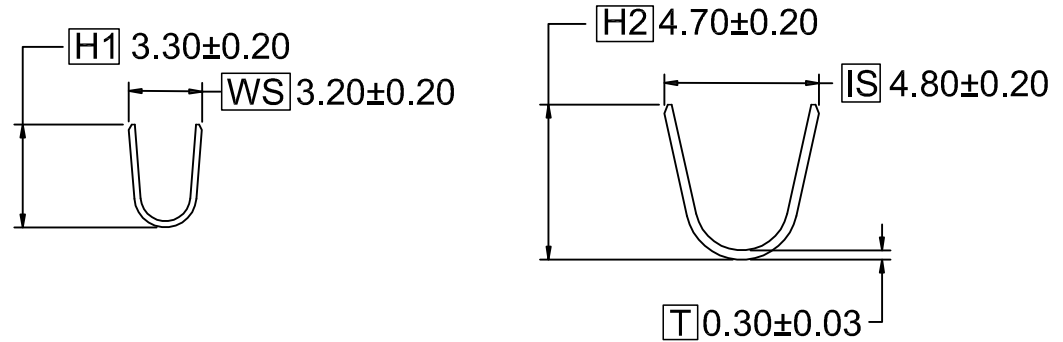
Material 黄铜Brass(C2680)

适配端子

Mating Part/ Spec. (W)4.8*(T)0.8

包装数量

Packing Q' TY 10000Pcs/Reel



RoHS Compliant

TOLERANCES ARE

MORETHANALL
PCB CONNECTORS
Cable ASSEMBLIES

煜倫股份有限公司

www.morethanall.com

DRAWING BY CY

CHECKED BY GENIUS

UNIT / mm

SCALE 1:1

DATE

SIZE A4

PPOJECTION

X, ±
.X ± 0.20
.XX ± 0.10
.XXX ± 0.05
ANG ±

照片框

ORDER INFORMATION

Q187-FB8-16-LF
SERIES LEADFREE
16~20 AWG
0.8t
BRASS
FEMALE

DESCRIPTION: