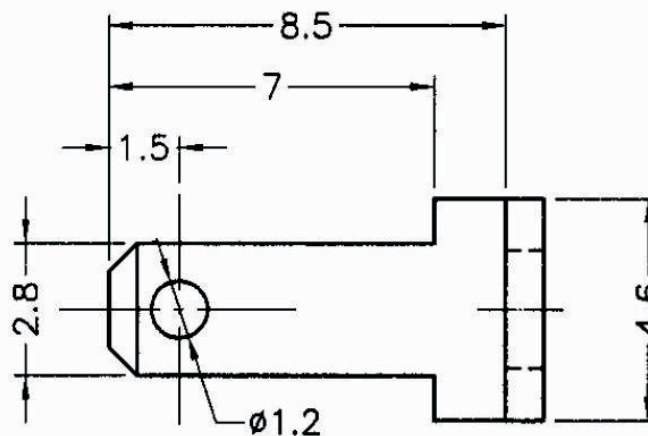


MATERIAL:BRASS
FINISH:TIN PLATED



Q110-MS8L-25-LF
 LEADFREE
 RoHS Compliant



PART NO. Q110-MS8L-25

DWG NO. Q110-MS8L-25

FILE NO.

UNIT / mm

SCALE 1:1

CHECKED BY CY

DRAWING BY

PROJECTION



TOLERANCES ARE

.X ± 0.2
 .XX ±
 .XXX ±
 AWG

DESCRIPTION:

90°PC板端子

AREA

REVISIONS

HK

DATE

煜倫股份有限公司