

MATERIAL

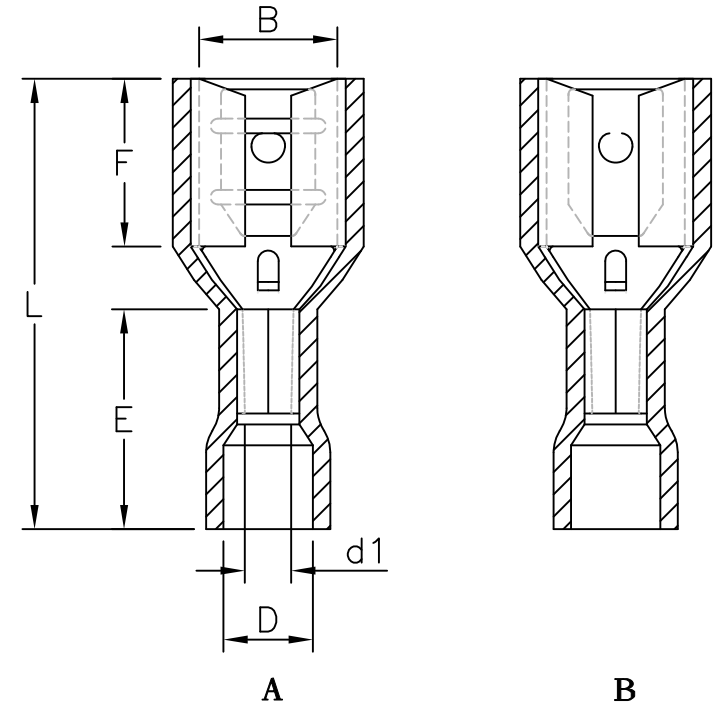
INSULATION : VINYL
 MATERIAL : BRASS
 TIN PLATING

MAXIMUM ELECTRIC CURRENT

A. W. G	22	20	18	16	14	12	10
MAX AMP	3	4	7	10	15	20	24

NOTE:

1. MAXIMUM ELECTRICAL RATING: 105 °C 300 VOLTS
2. WIRE RANGE: 22-16 AWG / 0.5-1.5 mm²
 INSULATED COLOR: RED
3. WIRE RANGE: 16-14 AWG / 1.5-2.5 mm²
 INSULATED COLOR: BLUE
4. WIRE RANGE: 12-10 AWG / 4-6 mm²
 INSULATED COLOR: YELLOW
5. MATERIAL THICKNESS: t
 TOLERANCE: ±0.05



WIRE RANGE AWG/mm ²	產品編號 ITEM NO.	NEMA TAB	B	F REF.	L ±1.00	E ±0.60	D ±0.30	d1 ±0.20	t
16-14 AWG 1.5-2.5 mm ²	Q110-FT8VF-14	0.8x2.8	3.2 ±0.30	6.4	19.0				0.30

RoHS Compliant

TOLERANCES ARE

MORETHANALL
 PCB CONNECTORS
 Cable ASSEMBLIES

煜倫股份有限公司

www.morethanall.com

DRAWING BY CY

CHECKED BY GENIUS

UNIT / mm

SCALE 1:1

DATE

SIZE A4

X. ±
 .X ±
 .XX ±
 .XXX ±
 ANG ±

PJECTION

照片框

ORDER INFORMATION

Q110-FT8VF-14-LF
 SERIES | | | | LEADFREE
 | | | | 14-16 AWG
 | | | | FULL
 | | | | VINYL
 FEMALE | THICKNESS 0.8mm
 | | | | TIN PLATED

DESCRIPTION: FULLY INSULATED PVC FEMALE DISCONNECTS