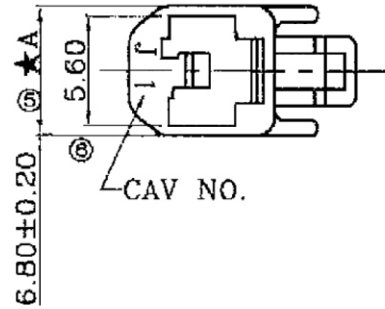
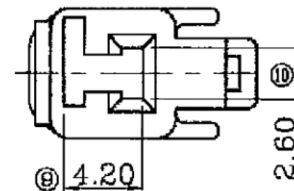
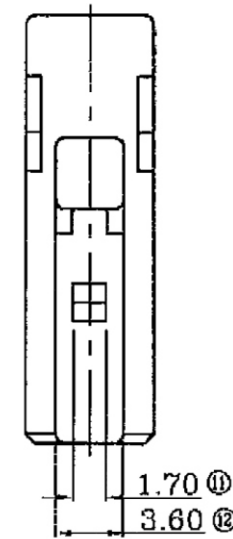
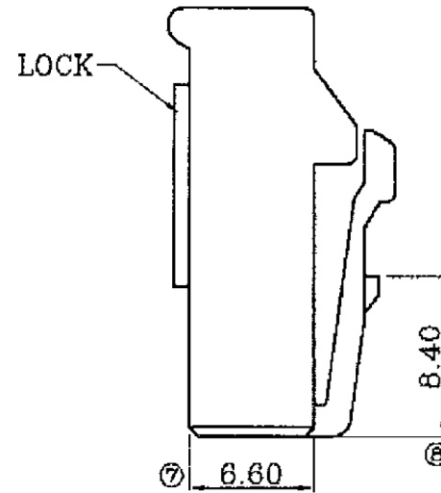
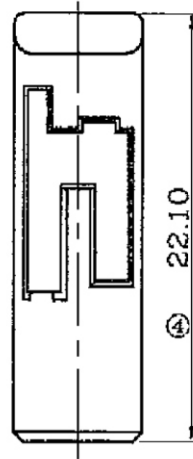
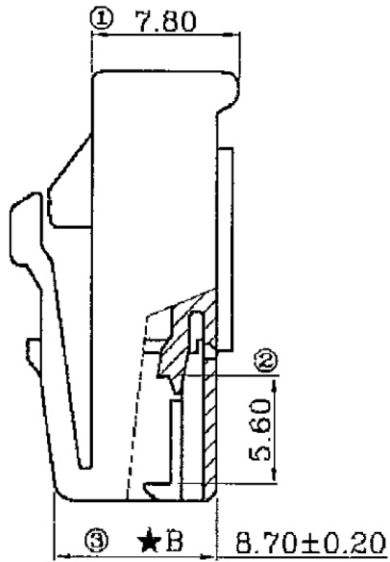


Q090-SH-01-LF
LEADFREE
RoHS Compliant



REMARKS:
1.APPLICABLE TERMINAL
2.ASSEMBLY PART
LOCK PART:
3.COLOR: WHITE
4.COUNTER PART:3TS01MW
5.ALL THE DIMENSIONS ARE MEASURED UNDER
GRADE "B" UNLESS OTHERWISE SPECIFIED.



MORETHANALL
CONNECTORS
ASSEMBLIES

PART NO. Q090-SH-01

DWG NO. Q090-SH-01

CHECKED BY CY

TOLERANCES ARE

FILE NO.

DRAWING BY

.X±0.2

.XX±0.1

.XXX±

AWG

DESCRIPTION:

煜倫股份有限公司

UNIT / mm

SCALE 1:1

PROJECTION



AREA

REVISIONS

HK

DATE