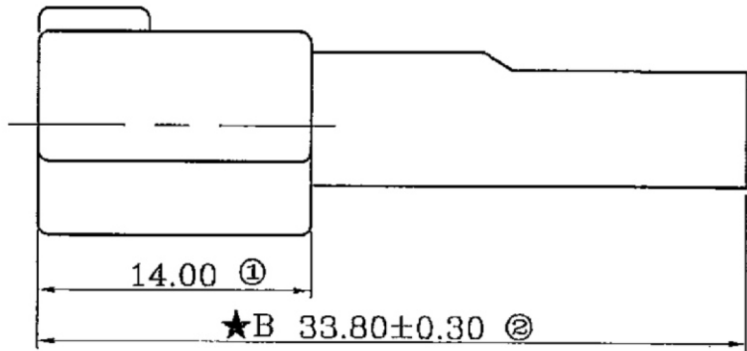
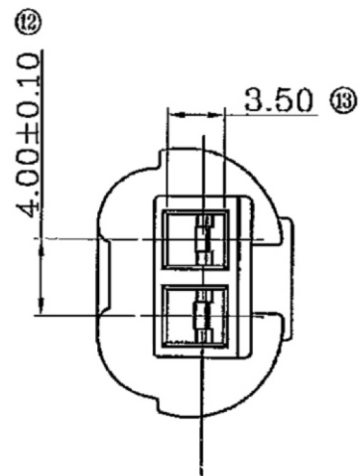
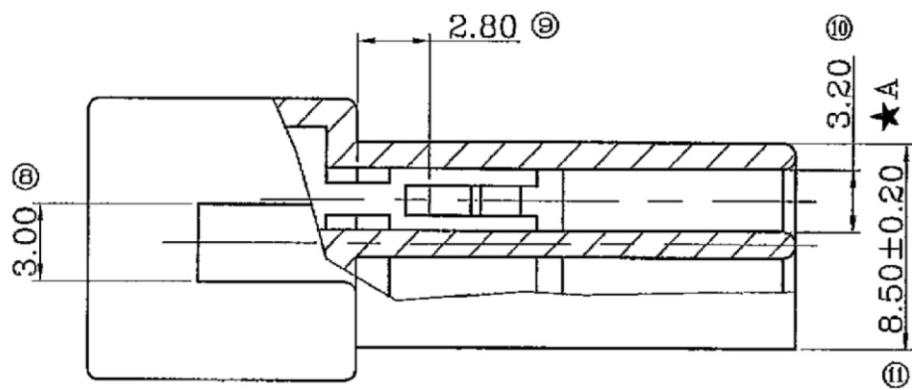
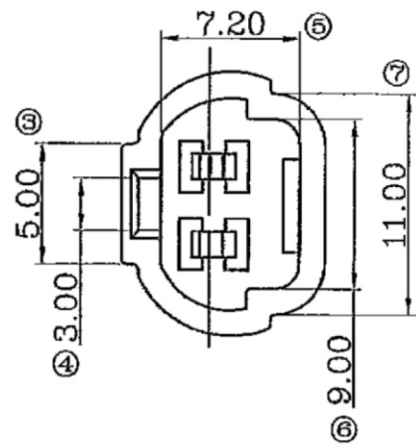


Q090-PH-02-LF
LEADFREE
RoHS Compliant



REMARKS:
1.COLOR:NATURE
2.ALL THE DIMENSIONS ARE MEASURED UNDER GRADE "B" UNLESS OTHERWISE SPECIFIED.



MORETHANALL
CONNECTORS
ASSEMBLIES

PART NO. Q090-PH-02

DWG NO. Q090-PH-02

CHECKED BY CY

TOLERANCES ARE

DESCRIP TION:

FILE NO.

DRAWING BY

.X ± 0.2

.XX ± 0.1

.XXX ±

AWG

AREA

REVISIONS

HK

DATE

煜倫股份有限公司

UNIT / mm

SCALE 1:1

PROJECTION