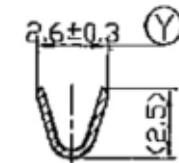
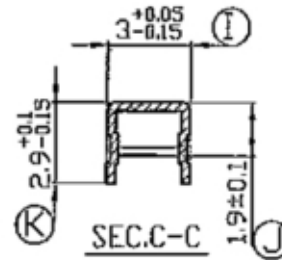
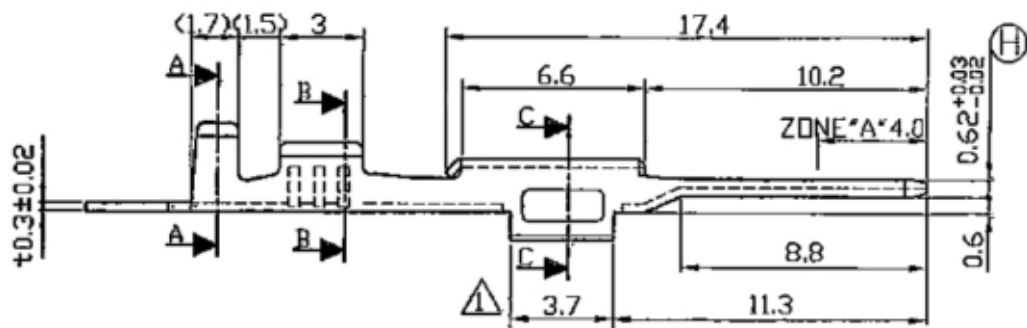


SEC.A-A



SEC.B-B



SEC.C-C

說明:

- 1.預鍍錫膜厚40u"以上。
 - 2.擇鍍金Zone"A"測厚區5u"以上。
- 線徑：0.3-0.5mm²

NOTE:

- 1.Pre-Tin Plated Thickness More Than 40u".
- 2.Selective Gold Plating 5u" Over Zone"A"

RoHS Compliant

TOLERANCES ARE

MORETHANALL
PCB CONNECTORS
Cable ASSEMBLIES

煜倫股份有限公司

www.morethanall.com

DRAWING BY CY

CHECKED BY GENIUS

UNIT / mm SCALE 1 : 1

DATE

SIZE A4

X. ±

.X ±

.XX ±

.XXX ±

ANG ±

PJECTION



ORDER INFORMATION

Q090-MT-20-LF

SERIES | LEADFREE
20 AWG
MALE TERMINAL

DESCRIPTION: