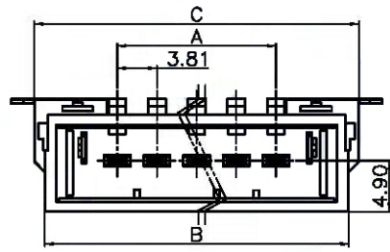
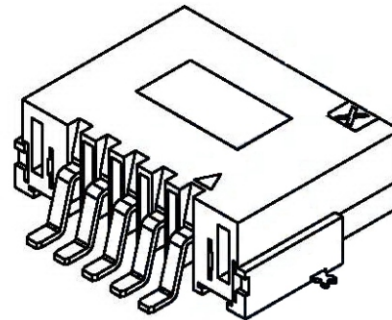


X-KEY

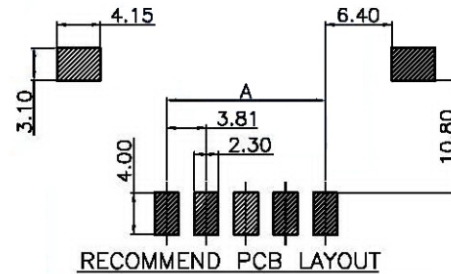
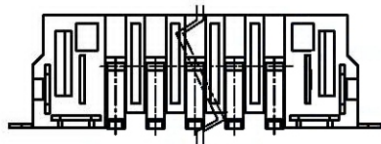
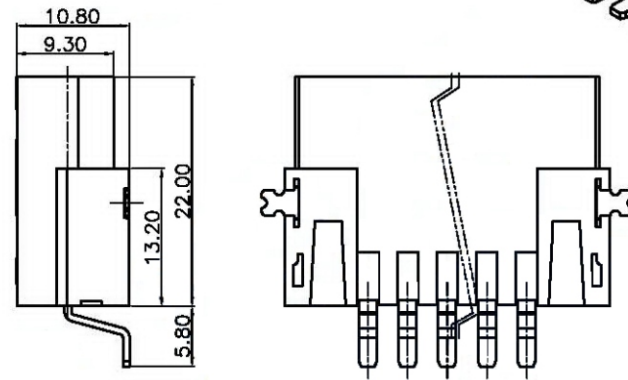
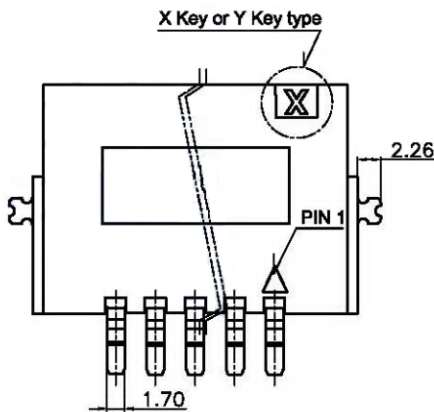


Y-KEY

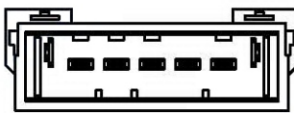
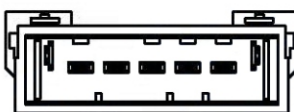


NOTE :

- * Material : Nylon UL 94V-0
- * Standard Color : Black
- * Contact : Brass
- * Finish : Plating Gold flash over Nickel
- * Electrical rating : 250V 7A AC/DC
- * 3-10 circuits available



RECOMMEND PCB LAYOUT

KEYING LOCATION	KEYING	PART NO.	DIM. A	DIM. B	DIM. C
	X	Q08038-PWEKX-1X03	7.62	21.56	23.56
		Q08038-PWEKX-1X04	11.43	25.37	27.37
		Q08038-PWEKX-1X05	15.24	29.18	31.18
		Q08038-PWEKX-1X06	19.05	32.99	34.99
		Q08038-PWEKX-1X07	22.86	36.80	38.80
		Q08038-PWEKX-1X08	26.67	40.61	42.61
		Q08038-PWEKX-1X09	30.48	44.42	46.42
	Y	Q08038-PWEKY-1X03	7.62	21.56	23.56
		Q08038-PWEKY-1X04	11.43	25.37	27.37
		Q08038-PWEKY-1X05	15.24	29.18	31.18
		Q08038-PWEKY-1X06	19.05	32.99	34.99
		Q08038-PWEKY-1X07	22.86	36.80	38.80
		Q08038-PWEKY-1X08	26.67	40.61	42.61
		Q08038-PWEKY-1X09	30.48	44.42	46.42
Q08038-PWEKY-1X10	34.29	48.23	50.23		

RoHS Compliant

TOLERANCES ARE

MORETHANALL
PCB CONNECTORS
Cable ASSEMBLIES

煜倫股份有限公司

www.morethanall.com

DRAWING BY CY

CHECKED BY GENIUS

UNIT / mm SCALE 1 : 1

DATE

SIZE A4

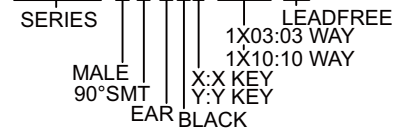
X, ±
.X ± 0.30
.XX ± 0.20
.XXX ± 0.10
ANG ± 2°

P PROJECTION

照片框

ORDER INFORMATION

Q08038-PWEKx-1Xxx-LF



DESCRIPTION: