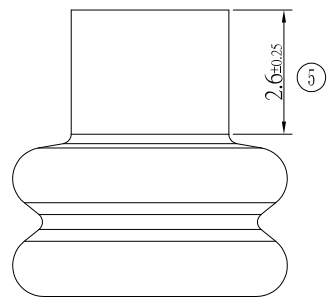
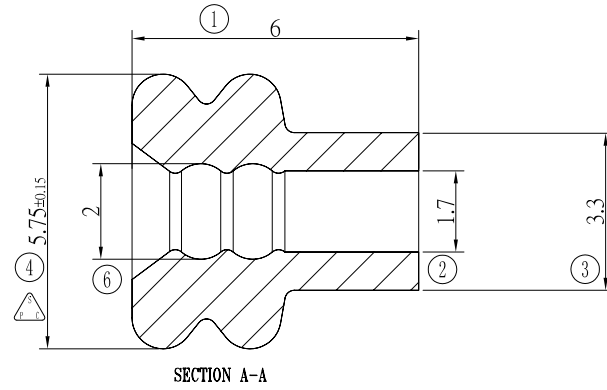
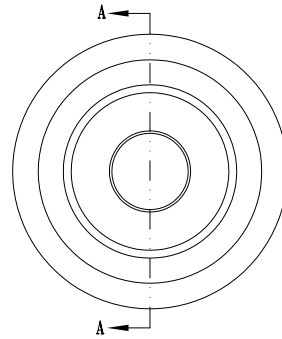
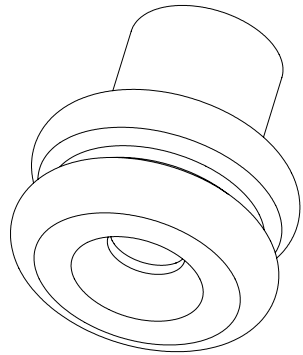


NOTE:
1. ALL THE DIMENSIONS ARE MEASURED UNDER
GRADE "B" UNLESS OTHERWISE SPECIFIED.



F.P.	1	Q070-WSBK-5.1	---	SI(40±5°)曲插	BLACK	---	---
類別 Type	NO.	產品編號 Part Number	構成零件 Composed parts	材質 Material	顏色 Color	對手件 Counter P/No.	配合端子 Applicable Ter.

RoHS Compliant

TOLERANCES ARE



煜倫股份有限公司

www.morethanall.com

DRAWING BY CY

CHECKED BY GENIUS

UNIT / mm

SCALE 1 : 1

DATE

SIZE A4

GRADE	A	B
<10.0	: ±0.15	±0.20
>10.0	: ±0.20	±0.30
>50.0	: ±0.30	±0.55
>100.0	: ±0.50	±0.95
>250.0	: ±0.75	±1.40
ANGLE	: ±30°	±30°

PPOJECTION



ORDER INFORMATION

Q070-WSBK-5.1-LF
 SERIES | LEADFREE
 | 5.1mm
 | BLACK
 | WIRE SEAL

DESCRIPTION: