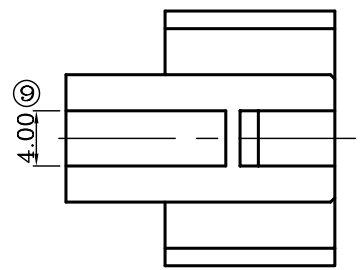
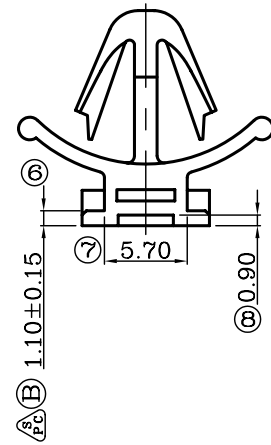
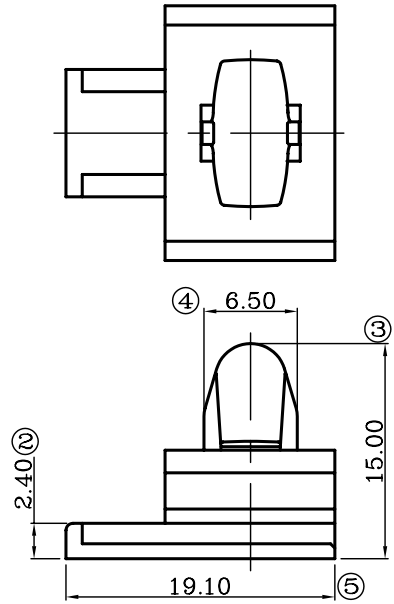
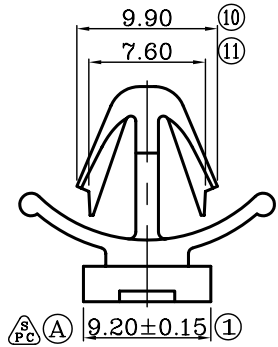


NOTE :
1.ALL THE DIMENSIONS ARE MEASURED UNDER GRADE "B" UNLESS OTHERWISE SPECIFIED.



| | | | | | | | |
|------------|-----|---------------------|------------------------|----------------|-------------|----------------------|-------------------------|
| F. P. | 1 | Q070-KHWH-7.0 | --- | PA66(H) | NATURE | --- | --- |
| 類別 Type | NO. | 產品編號 Part Number | 構成零件 Composed parts | 材質 Material | 顏色 Color | 對手件 Counter P/No. | 配合端子 Applicable Ter. |

RoHS Compliant

TOLERANCES ARE

MORETHANALL
PCB CONNECTORS
Cable ASSEMBLIES

DRAWING BY CY

CHECKED BY GENIUS

UNIT / mm SCALE 1 : 1

DATE

SIZE A4

| GRADE | A | B |
|--------|--------|--------|
| <10.0 | ± 0.15 | ± 0.20 |
| >10.0 | ± 0.20 | ± 0.30 |
| >50.0 | ± 0.30 | ± 0.55 |
| >100.0 | ± 0.50 | ± 0.95 |
| >250.0 | ± 0.75 | ± 1.40 |
| ANGLE | ± 30' | ± 30' |

PJECTION

照片框

ORDER INFORMATION

Q070-KHWH-7.0-LF

SERIES | LEADFREE
7.0mm
WHITE
KEY HOLE

煜倫股份有限公司

www.morethanall.com

DESCRIPTION: 070 TYPE MALE HOUSING