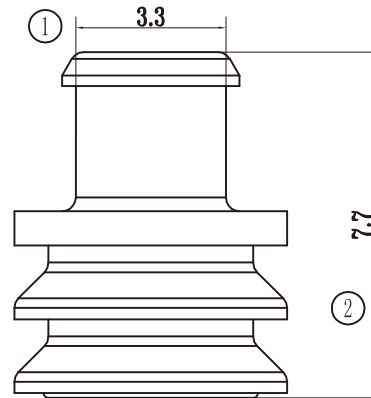
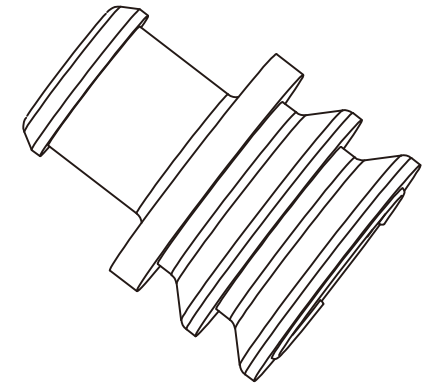
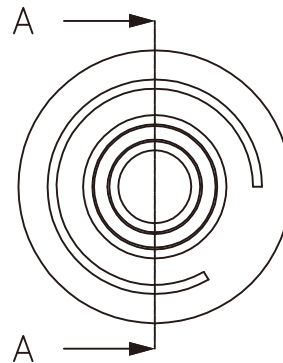


SECTION A-A



NOTE:
1. ALL THE DIMENSIONS ARE MEASURED UNDER
GRADE "B" UNLESS OTHERWISE SPECIFIED.



F.P.		—	SI(40±5°)不出油	RED
類別 Type	NO.	構成零件 Composed parts	材質 Material	顏色 Color

RoHS Compliant

TOLERANCES ARE

MORETHANALL
PCB CONNECTORS
Cable ASSEMBLIES

煜倫股份有限公司

www.morethanall.com

DRAWING BY CY

CHECKED BY GENIUS

UNIT / mm

SCALE 1 : 1

DATE

SIZE A4

X, ±
.X ±
.XX ±
.XXX ±
ANG ±

PPOJECTION

照片框

ORDER INFORMATION

Q06060-WSRD-16-LF

SERIES

LEADFREE

1.6Ø
RED
WATER SEAL

DESCRIPTION: