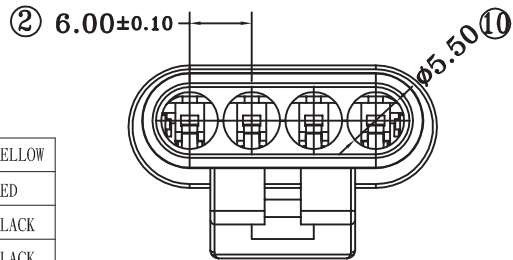
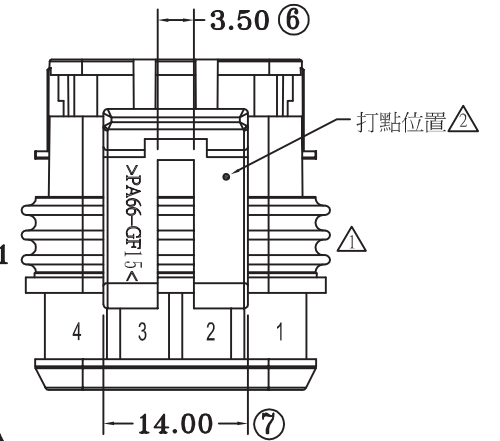
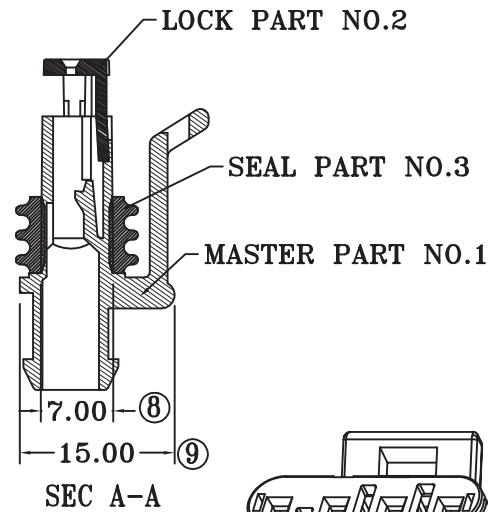
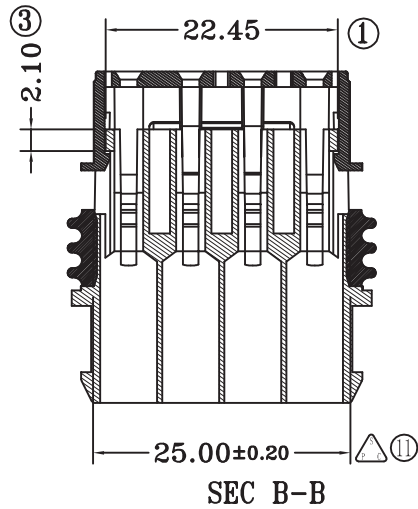
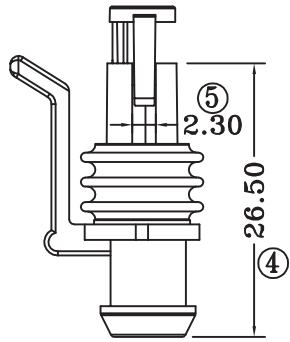


NOTE?
1.ALL THE DIMENSIONS ARE MEASURED UNDER GRADE "B" UNLESS OTHERWISE SPECIFIED.



| | | | | |
|------------|-----|------------------------|----------------|-------------|
| SEAL | 3 | --- | SILICONE | YELLOW |
| LOCK | 2 | --- | PA66 | RED |
| MASTER | 1 | --- | PA66-GF | BLACK |
| F.P | --- | 1+2+3 | PA66-GF | BLACK |
| 類別 Type | NO. | 構成零件 Composed parts | 材質 Material | 顏色 Color |

RoHS Compliant

TOLERANCES ARE

MORETHANALL
PCB CONNECTORS
Cable ASSEMBLIES

煜倫股份有限公司

www.morethanall.com

DRAWING BY CY

CHECKED BY GENIUS

UNIT / mm SCALE 1 : 1

DATE

SIZE A4

X, ±
.X ±
.XX ±
.XXX ±
ANG ±

PPOJECTION

照片框

ORDER INFORMATION

Q06060-SHBK-1X04-LF

SERIES | LEADFREE
| 04 WAY
| BLACK HOUSING
| FEMALE

DESCRIPTION: 060 TYPE FEMALE HOUSING