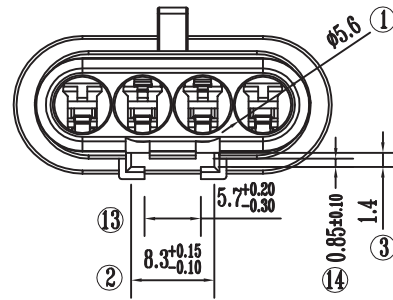
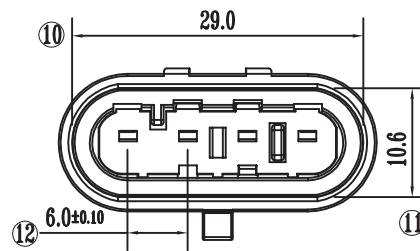
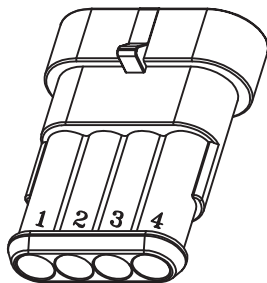
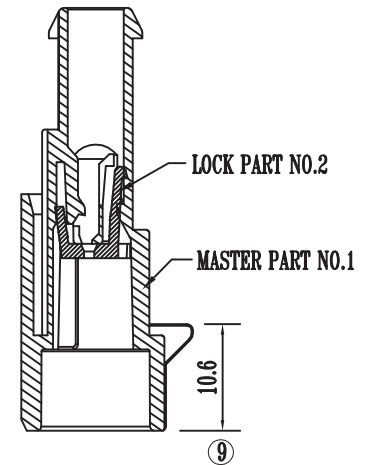
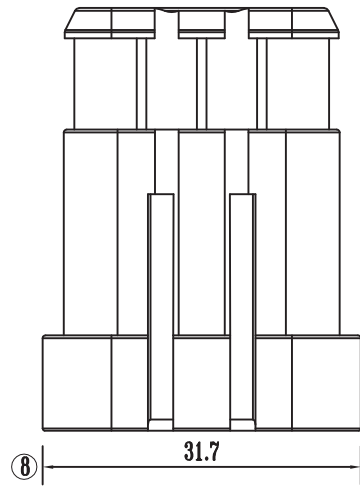
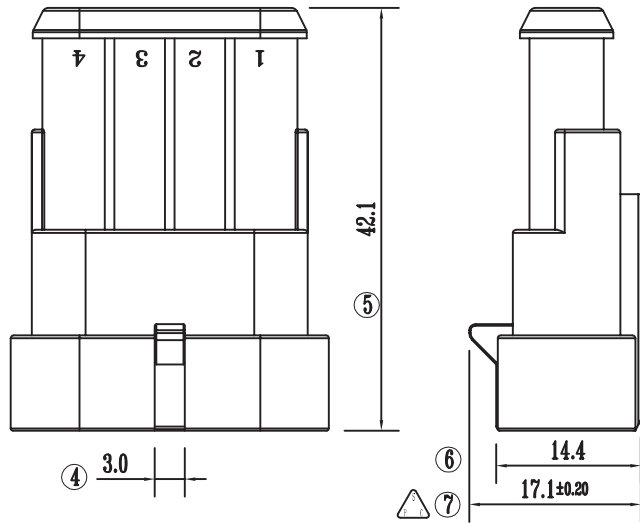


LOCK	2	---	PA66-GF	RED
MASTER	1	---	PA66-GF	BLACK
F.P.		1+2	PA66-GF	BLACK
類別 Type	NO.	構成零件 Composed Parts	材質 Material	顏色 Color



NOTE:
 1. ALL THE DIMENSIONS ARE MEASURED UNDER GRADE "B" UNLESS OTHERWISE SPECIFIED.
 2. WEIGHT: 5.7g



RoHS Compliant

TOLERANCES ARE

MORETHANALL
 PCB CONNECTORS
 Cable ASSEMBLIES

DRAWING BY CY

CHECKED BY GENIUS

UNIT / mm

SCALE 1 : 1

DATE

SIZE A4

X, ±
 .X ±
 .XX ±
 .XXX ±
 ANG ±

PPOJECTION

照片框

ORDER INFORMATION

Q06060-PHBK-1X04-LF

SERIES

HOUSING

BLACK
 MALE

04 WAY

LEADFREE

煜倫股份有限公司

www.morethanall.com

DESCRIPTION: 060 TYPE MALE HOUSING