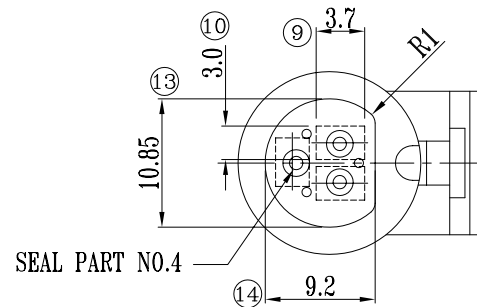
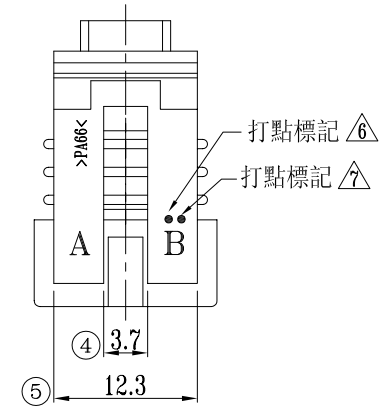
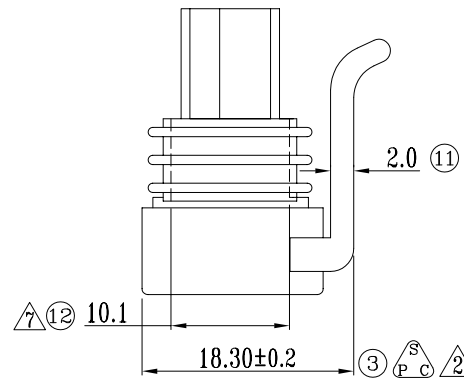
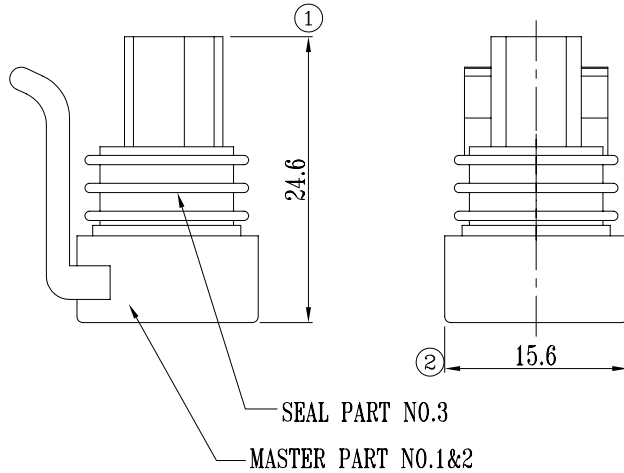


NOTE:
1. ALL THE DIMENSIONS ARE MEASURED UNDER GRADE "B" UNLESS OTHERWISE SPECIFIED.
△ 2. WEIGHT: 3.18g



SEAL	4			SI	RED	
SEAL	3		---	SI	PURPLE	
MASTER	2	Q06035-SHGE-2003	---	PA66	GRAY	
MASTER	1	Q06035-SHBK-2003	---	PA66	BLACK	
F.P.			2+3+4	---	---	---
F.P.			1+3+4	---	---	---
類別 Type	No.	產品編號 Part Number	構成零件 Composed parts	材質 Material	顏色 Color	對手件 Counter P/No.

RoHS Compliant

TOLERANCES ARE

MORETHANALL
PCB CONNECTORS
Cable ASSEMBLIES

DRAWING BY CY

GRADE A B

CHECKED BY GENIUS

<10.0 : ±0.15 ±0.20

UNIT / mm

SCALE 1 : 1

>10.0 : ±0.20 ±0.30

DATE

>50.0 : ±0.30 ±0.55

SIZE A4

PJECTION

>100.0 : ±0.50 ±0.95

>250.0 : ±0.75 ±1.40

ANGLE : ±30' ±30'

照片框

ORDER INFORMATION

Q06035-SHcc-2003-LF

SERIES

LEADFREE

2 ROW 3 PIN

BK:BLACK

GE:GRAY

HOUSING

FEMALE

DESCRIPTION: 060 TYPE FEMALE HOUSING

煜倫股份有限公司

www.morethanall.com