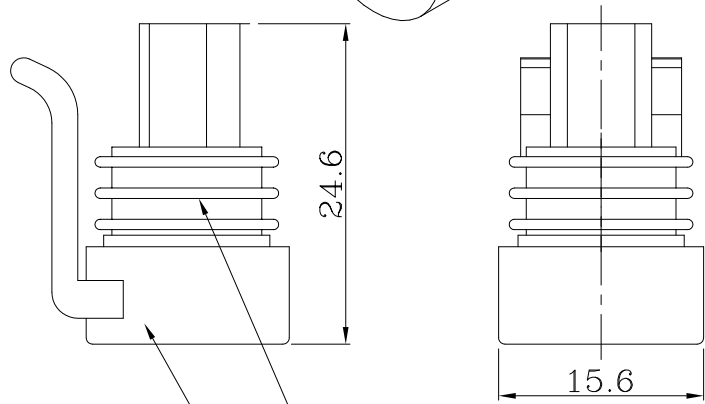
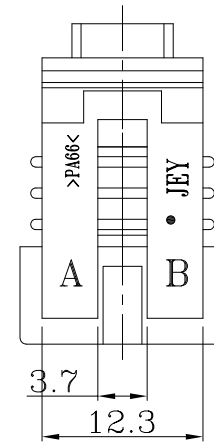
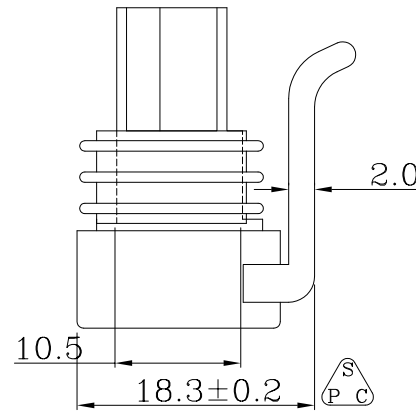


NOTE:  
1. ALL THE DIMENSIONS ARE MEASURED UNDER GRADE "B" UNLESS OTHERWISE SPECIFIED.  
2. WEIGHT: 3.1g

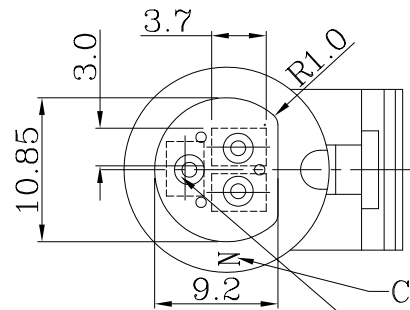


SEAL PART NO. 2

MASTER PART NO. 1



SEAL	3	---	SI(30±5°)	RED
SEAL	2	---	SI(50±5°)	PURPLE
MASTER	1	---	PA66	GRAY
F. P.		1+2+3	PA66	GRAY
Type	NO.	Composed parts	Material	Color



CAV NO.  
SEAL PART NO. 3

RoHS Compliant

TOLERANCES ARE

**MORETHANALL**  
PCB CONNECTORS  
Cable ASSEMBLIES

煜倫股份有限公司

www.morethanall.com

DRAWING BY CY

CHECKED BY GENIUS

UNIT / mm

SCALE 1 : 1

DATE

SIZE A4

PJECTION

X. ±  
.X ±  
.XX ±  
.XXX ±  
ANG ±

照片框

ORDER INFORMATION

Q06035-SHGE-2003-LF

SERIES

LEADFREE  
2 ROW 3 PIN  
GRAY  
HOUSING  
FEMALE

DESCRIPTION: 060 TYPE FEMALE HOUSING