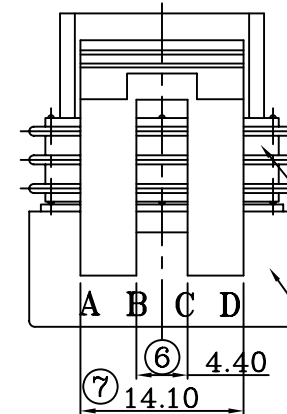
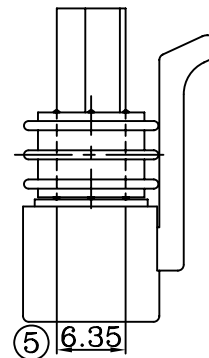
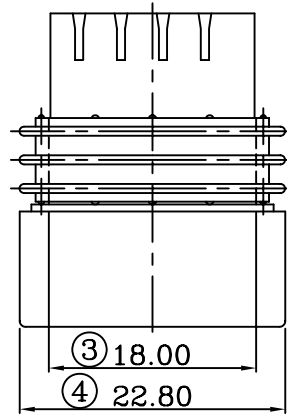
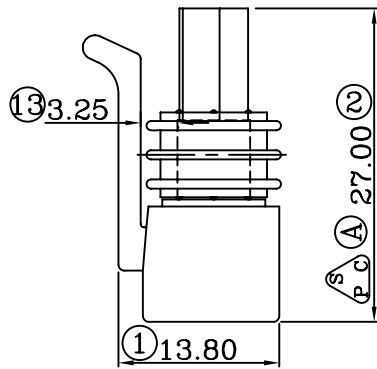
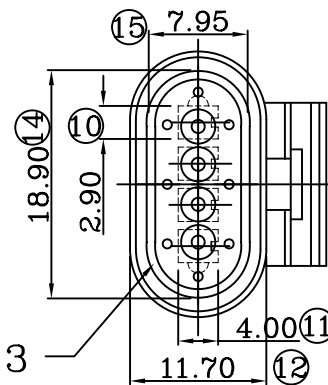


NOTE:  
1. ALL THE DIMENSIONS ARE MEASURED UNDER GRADE "B" UNLESS OTHERWISE SPECIFIED.



SEAL PART NO.2

MASTER PART NO.1



SEAL PART NO.3

SEAL	3		---	橡膠	BLUE
SEAL	2		---	橡膠	BLUE
MASTER	1		---	PA6	BLACK
F. P			1+2+3	PA6	BLACK
類別 Type	NO.	產品編號 Part Number	構成零件 Composed parts	材質 Material	顏色 Color

RoHS Compliant

TOLERANCES ARE

**MORETHANALL**  
PCB CONNECTORS  
Cable ASSEMBLIES  
煜倫股份有限公司

DRAWING BY CY

X. ±

CHECKED BY GENIUS

.X ±

UNIT / mm SCALE 1 : 1

.XX ±

DATE

.XXX ±

ANG ±

SIZE A4

P PROJECTION

照片框

ORDER INFORMATION

Q06035-SHBK-1X04-LF

SERIES

LEADFREE

04 WAY

BLACK

HOUSING

FEMALE

DESCRIPTION: 060 TYPE FEMALE HOUSING

www.morethanall.com