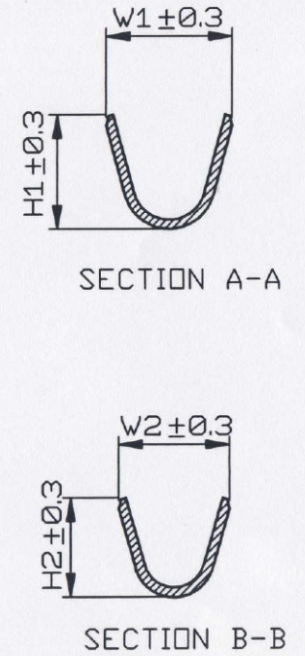
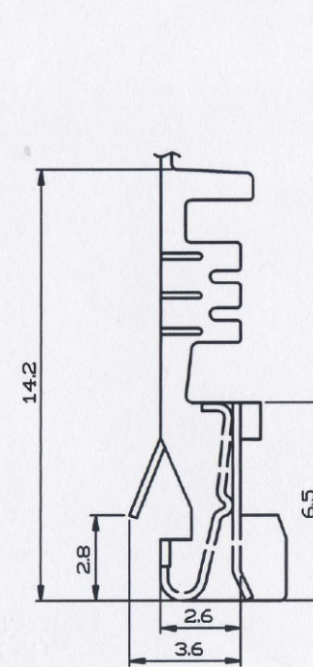
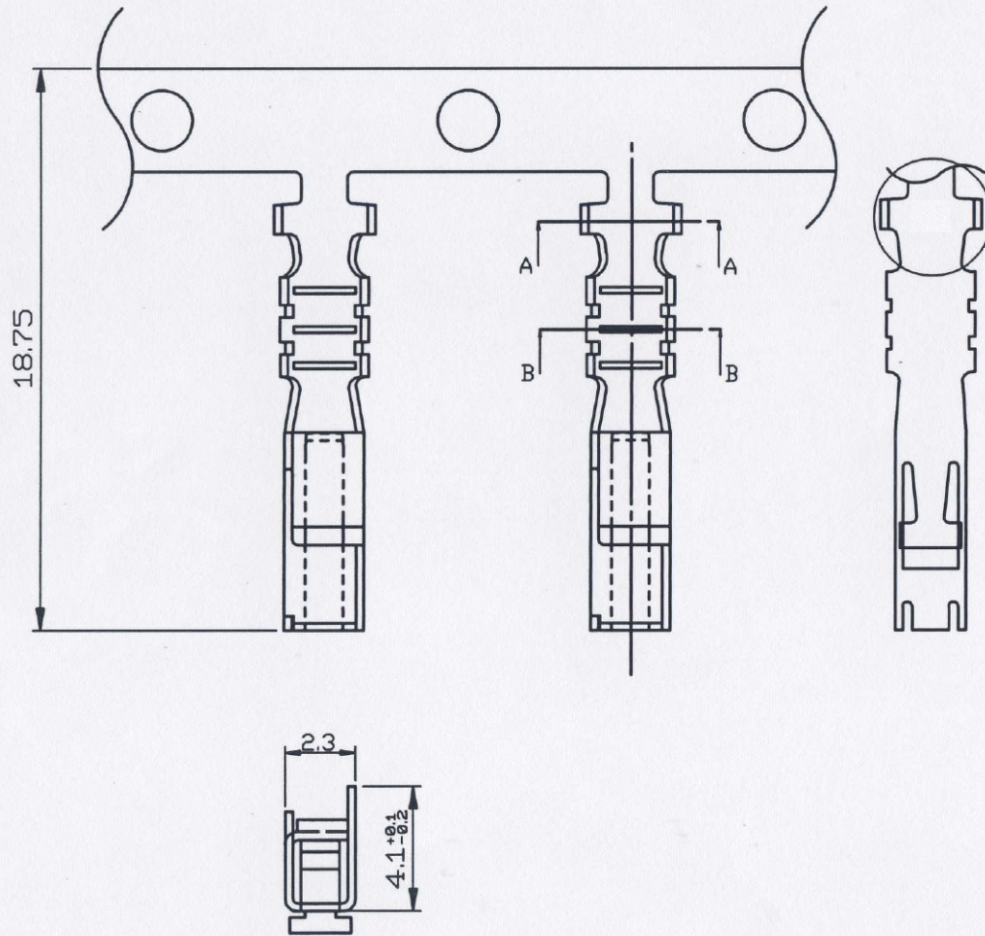


產品編號	WIRE RANGE(mm ²)	SURFACE TREATMENT	MARKING	W1	H1	W2	H2
Q06035-FT-18	0.85 mm ²	PRE-TIN		3.3	3.0	2.9	2.6
Q06035-FT-20	0.3-0.5 mm ²			3.5	3.1	2.5	2.2



NOTE:
1. THICKNESS: 0.25mm

RoHS Compliant

TOLERANCES ARE

MORETHANALL
PCB CONNECTORS
Cable ASSEMBLIES

煜倫股份有限公司

www.morethanall.com

DRAWING BY CY

CHECKED BY GENIUS

UNIT / mm

SCALE 1 : 1

DATE

SIZE A4

X. ±

.X ±

.XX ±

.XXX ±

ANG ±

PJECTION

照片框

ORDER INFORMATION

Q06035-FT-xx-LF

SERIES

LEADFREE

18:18 AWG

20:20 AWG

TERMINAL

FEMALE

DESCRIPTION: DF14 5P/5P L:400mm BLACK