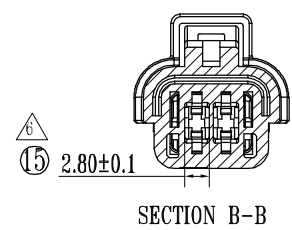
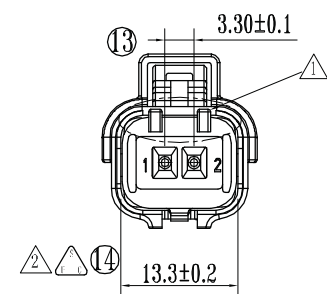
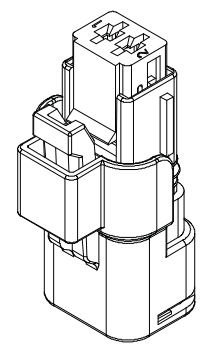
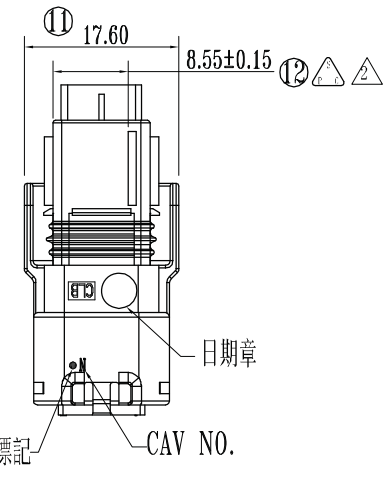
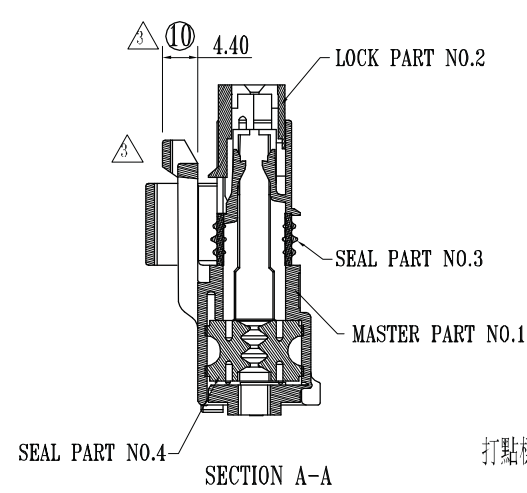
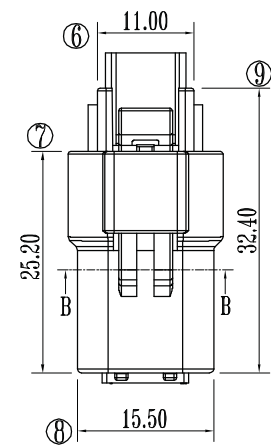
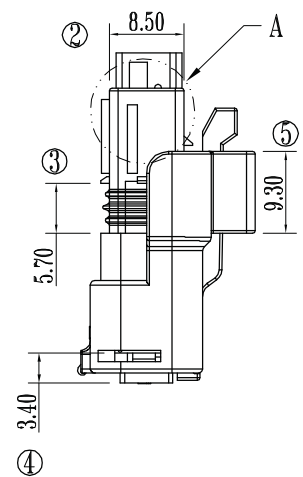


NOTE:
 1. ALL THE DIMENSIONS ARE MEASURED UNDER GRADE "B" UNLESS OTHERWISE SPECIFIED.
 2. Weight: 4.3g



SEAL	NO.	構成零件 Composed parts	材質 Material	顏色 Color
SEAL	4	---	SI	GREEN
SEAL	3	---	SI	BLUE
LOCK	2	---	PBT	YELLOW
MASTER	1	---	PBT	BLACK
F.P.		1+2+3+4	---	---

RoHS Compliant

TOLERANCES ARE

GRADE	A	B
<10.0	±0.15	±0.20
>10.0	±0.20	±0.30
>50.0	±0.30	±0.55
>100.0	±0.50	±0.95
>250.0	±0.75	±1.40
ANGLE	±30'	±30'

照片框

ORDER INFORMATION

Q06033-SHBK-1X02-LF
 SERIES | LEADFREE
 | | 02 WAY
 | | BLACK
 HOUSING
 FEMALE

DESCRIPTION: 060 TYPE FEMALE HOUSING

MORETHANALL
 PCB CONNECTORS
 Cable ASSEMBLIES
 煜倫股份有限公司
 www.morethanall.com

DRAWING BY CY	
CHECKED BY GENIUS	
UNIT / mm	SCALE 1 : 1
DATE	
SIZE A4	PJECTION