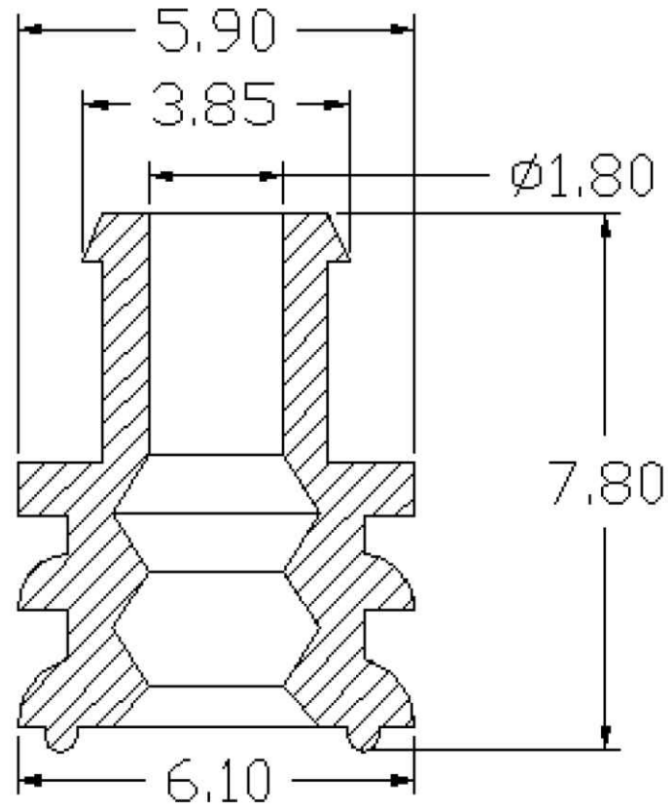


公差表	
尺寸	公差
1~3mm <	±0.30
3~6mm <	±0.40
6~10mm <	±0.50
10~18mm <	±0.60
18~30mm <	±0.80
30~50mm <	±1.00
50~80mm <	±1.20
80~120mm <	±1.40
120~180mm <	±1.60
180~250mm <	±2.00
250~315mm <	±2.50
315~400mm <	±3.00
400~500mm <	±3.50
>500mm	±0.80%



- 附註：
- 1.品號：<防水栓>
 - 2.顏色：黃色
 - 3.材質：SIR- 405 矽膠
 - 4.尺寸公差：依MS81-2031二級實施

RoHS Compliant

TOLERANCES ARE

MORETHANALL
PCB CONNECTORS
Cable ASSEMBLIES

煜倫股份有限公司

www.morethanall.com

DRAWING BY CY

CHECKED BY GENIUS

UNIT / mm

SCALE 1 : 1

DATE

SIZE A4

X, ±
.X ±
.XX ±
.XXX ±
ANG ±

PPOJECTION

照片框

ORDER INFORMATION

Q060-WSYL-18-LF
SERIES | | LEADFREE
| | 1.80
| | YELLOW
| | WATER SEAL

DESCRIPTION: