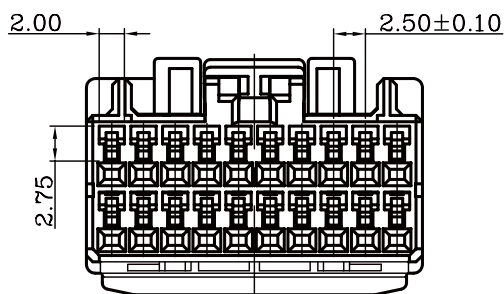
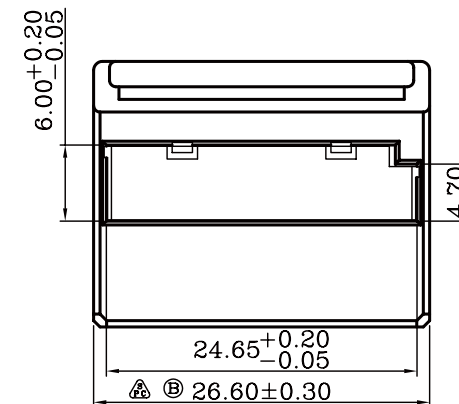
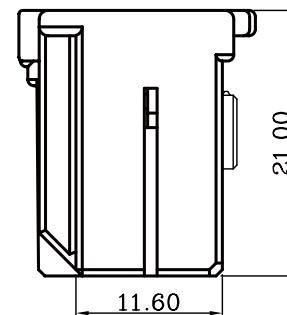
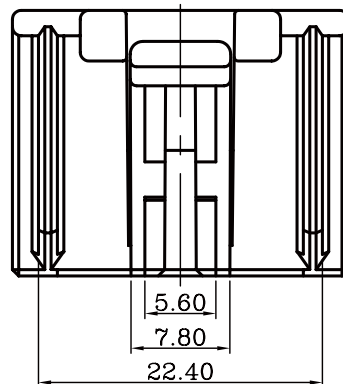
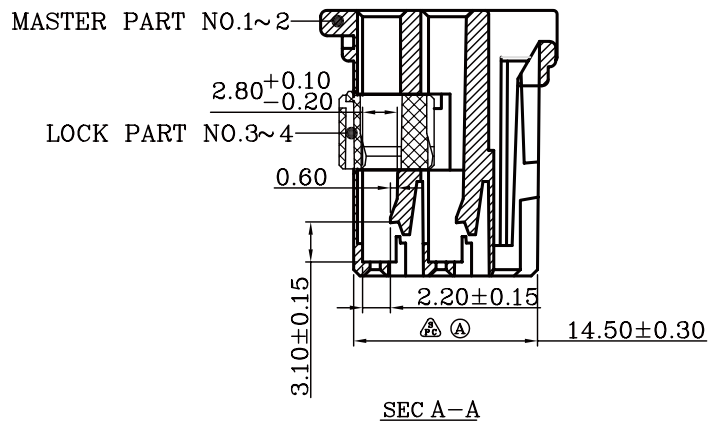


NOTE :  
1. ALL THE DIMENSIONS ARE MEASURED UNDER GRADE "B" UNLESS OTHERWISE SPECIFIED.



LOCK	4	---	PBT	BLACK
	3	---	PBT	WHITE
MASTER	2	---	PBT	BLACK
	1	---	PBT	GRAY
F. P.		2+4	PBT	BLACK
		1+3	PBT	GRAY
類別 Type	NO.	構成零件 Composed parts	材質 Material	顏色 Color

RoHS Compliant

TOLERANCES ARE

**MORETHANALL**  
PCB CONNECTORS  
Cable ASSEMBLIES

DRAWING BY CY

CHECKED BY GENIUS

UNIT / mm

SCALE 1 : 1

DATE

SIZE A4

P PROJECTION

GRADE	A	B
<10.0	±0.15	±0.20
>10.0	±0.20	±0.30
>50.0	±0.30	±0.55
>100.0	±0.50	±0.95
>250.0	±0.75	±1.40
ANGLE	±30'	±30'

照片框

ORDER INFORMATION

Q04025-SHcc-2X10-LF

SERIES | LEADFREE  
20 WAY  
BK:BLACK  
WH:WHITE  
GR:GRAY  
FEMALE HOUSING

煜倫股份有限公司

www.morethanall.com

DESCRIPTION: 040 TYPE FEMALE HOUSING