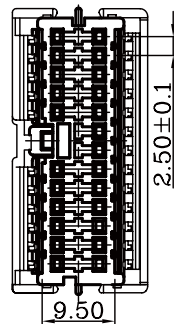
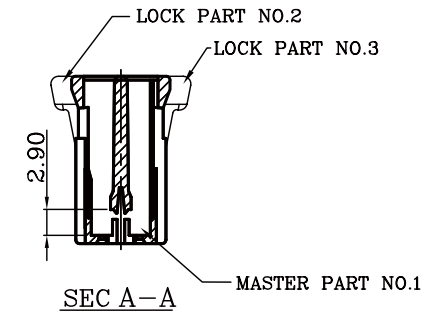
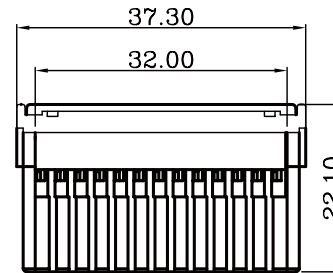
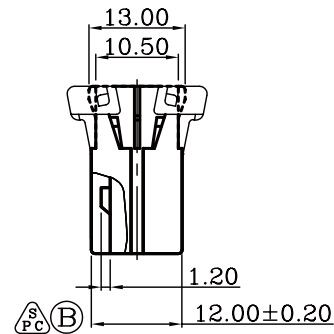
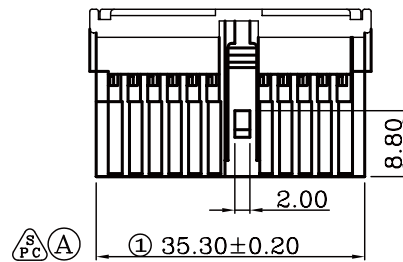


NOTE :
1. ALL THE DIMENSIONS ARE MEASURED UNDER GRADE "B" UNLESS OTHERWISE SPECIFIED.



LOCK	3	---	PBT	WHITE
LOCK	2	---	PBT	WHITE
MASTER	1	---	PBT	WHITE
F. P.	---	1+2+3	PBT	WHITE
類別 Type	NO.	構成零件 Composed parts	材質 Material	顏色 Color

RoHS Compliant

TOLERANCES ARE

MORETHANALL
PCB CONNECTORS
Cable ASSEMBLIES

DRAWING BY CY

CHECKED BY GENIUS

UNIT / mm

SCALE 1 : 1

DATE

SIZE A4

PJECTION

GRADE	A	B
<100	±0.15	±0.20
>100	±0.20	±0.30
>500	±0.30	±0.35
>1000	±0.50	±0.95
>2500	±0.75	±1.40
ANGL	±30'	±30'

照片框

ORDER INFORMATION

Q04025-SHWH-0224-LF

SERIES

LEADFREE
11+13 PIN
WHITE
HOUSING
FEMALE

煜倫股份有限公司

www.morethanall.com

DESCRIPTION: 040 FEMALE HOUSING