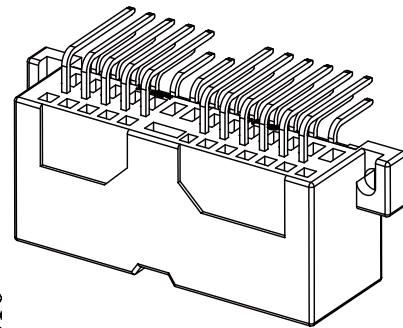
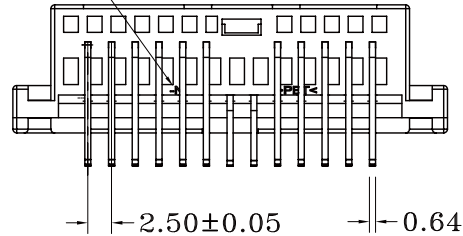
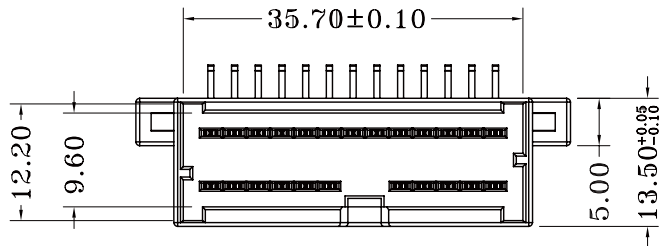
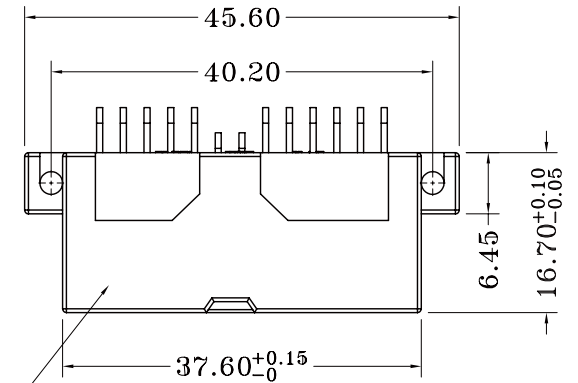
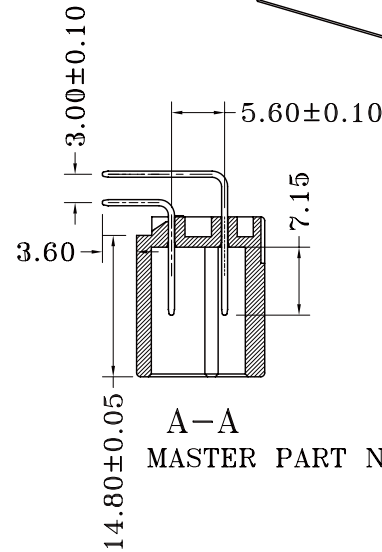
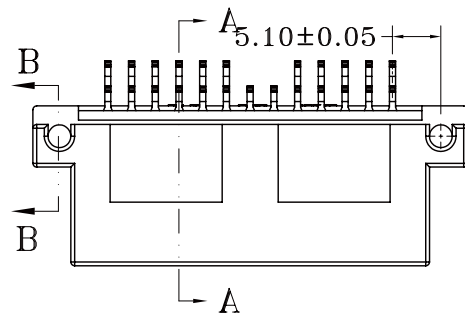
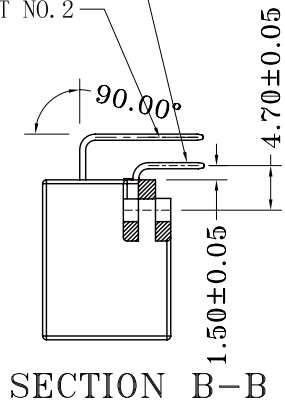


CAV NO.



NOTE:
1.ALL THE DIMENSIONS ARE MEASURED UNDER
GRADE "B" UNLESS OTHERWISE SPECIFIED.

TERMINAL PART NO. 3
TERMINAL PART NO. 2



TERMINAL	3	---	---	---
TERMINAL	2	---	---	---
MASTER	1	---	PBT	WHITE
F. P.		1+2*11+3*13	PBT	WHITE
類別 Type	NO.	構成零件 Composed parts	材質 Material	顏色 Color

RoHS Compliant

TOLERANCES ARE

MORETHANALL
PCB CONNECTORS
Cable ASSEMBLIES

DRAWING BY CY

CHECKED BY GENIUS

UNIT / mm

SCALE 1 : 1

DATE

SIZE A4

PJECTION

GRADE	A	B
<10.0	±0.15	±0.20
>10.0	±0.20	±0.30
>50.0	±0.30	±0.55
>100.0	±0.50	±0.95
>250.0	±0.75	±1.40
ANGLE	±30'	±30'

照片框

ORDER INFORMATION

Q04025-PREWH-0224-LF

SERIES

LEADFREE

11+13 PIN

WHITE

EAR

DIP 90°

MALE

DESCRIPTION: 040 TYPE MALE HOUSING

煜倫股份有限公司

www.morethanall.com