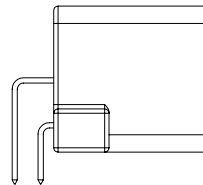
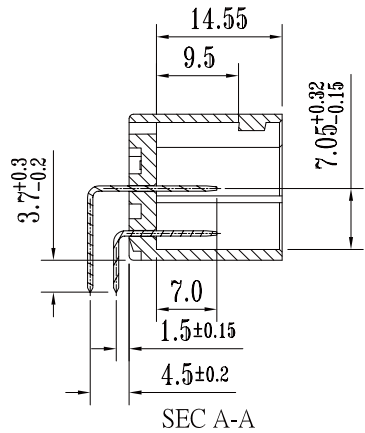
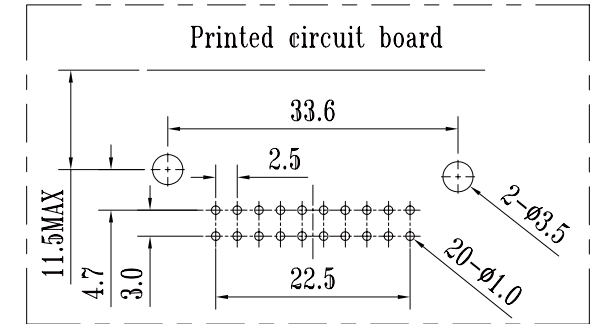
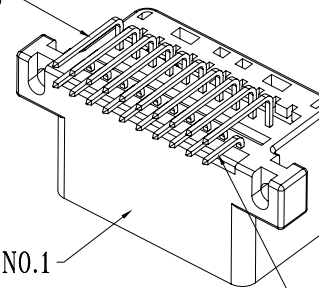


NOTE:
1. ALL THE DIMENSIONS ARE MEASURED UNDER
GRADE "B" UNLESS OTHERWISE SPECIFIED.



TERMINAL PART NO.3

MASTER PART NO.1



TERMINAL PART NO.2

TERMINAL	3	---	---	---
TERMINAL	2	---	---	---
MASTER	1	---	PBT	GRAY
F. P.		1+2+3	---	---
類別 Type	NO.	構成零件 Composed parts	材質 Material	顏色 Color

RoHS Compliant

TOLERANCES ARE

MORETHANALL
PCB CONNECTORS
Cable ASSEMBLIES

DRAWING BY CY

GRADE	A	B
<10.0	±0.15	±0.20
>10.0	±0.20	±0.30
>50.0	±0.30	±0.55
>100.0	±0.50	±0.95
>250.0	±0.75	±1.40
ANGLE	±30'	±30'

CHECKED BY GENIUS

UNIT / mm SCALE 1 : 1

DATE

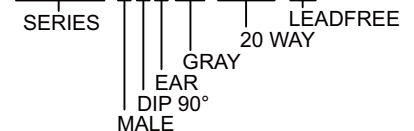
SIZE A4

PJECTION

照片框

ORDER INFORMATION

Q04025-PREG-2X10-LF



煜倫股份有限公司

www.morethanall.com

DESCRIPTION: