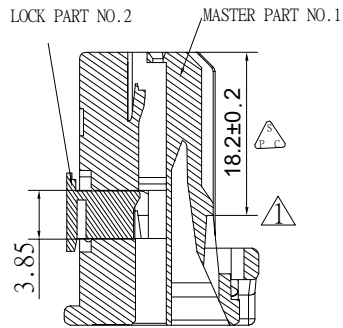
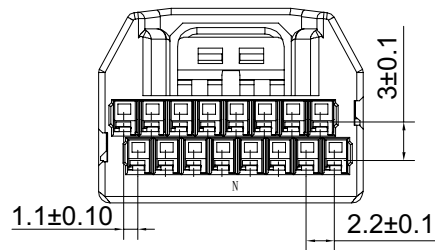
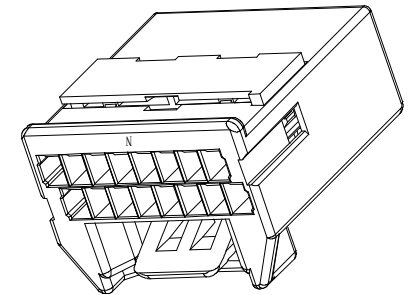
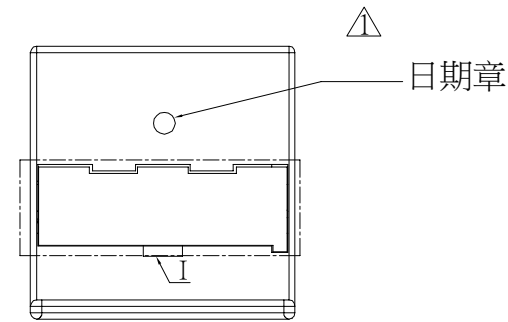
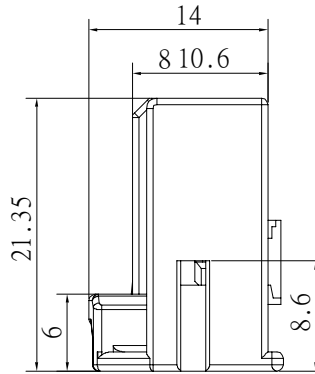
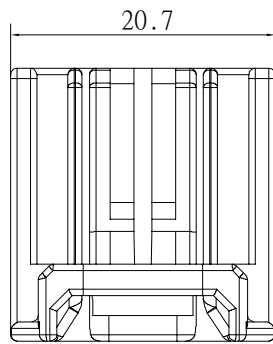


NOTE:  
1. ALL THE DIMENSIONS ARE MEASURED UNDER GRADE "B" UNLESS OTHERWISE SPECIFIED.



SECTION A-A



LOCK	2	---	PA66	BLACK
MASTER	1	---	PA66	GRAY
F.P		1+2	PA66	GRAY
類別 Type	NO.	構成零件 Composed parts	材質 Material	顏色 Color

RoHS Compliant

TOLERANCES ARE

**MORETHANALL**  
PCB CONNECTORS  
Cable ASSEMBLIES

DRAWING BY CY

X. ± 0.30

CHECKED BY GENIUS

.X ± 0.30

UNIT / mm

SCALE 1 : 1

.XX ± 0.20

DATE

.XXX ± 0.10

ANG ± 1°

SIZE A4

P PROJECTION

照片框

ORDER INFORMATION

Q04022-SHGE-2016-LF

SERIES

GRAY

HOUSING

FEMALE

LEADFREE

16WAY

煜倫股份有限公司

www.morethanall.com

DESCRIPTION: