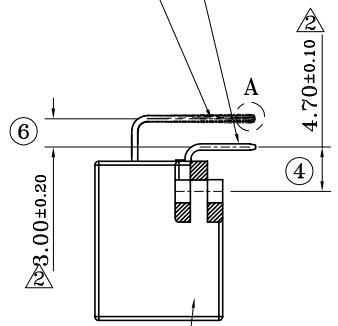


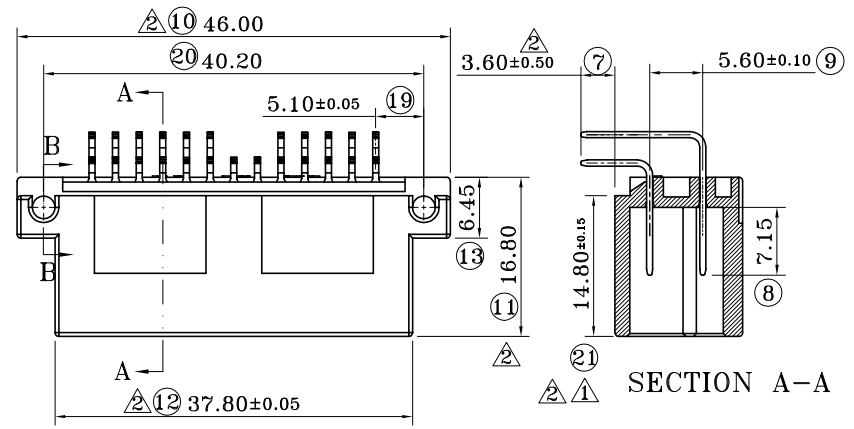
TERMINAL	---	---	---
TERMINAL	---	---	---
MASTER	---	PBT	WHITE
F. P.	1+2*11+3*13	PBT	WHITE
類別 Type	構成零件 Composed parts	材質 Material	顏色 Color

NOTE:
1.ALL THE DIMENSIONS ARE MEASURED UNDER GRADE "B" UNLESS OTHERWISE SPECIFIED.

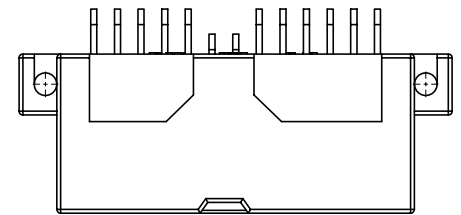
MASTER PART NO.3
MASTER PART NO.2



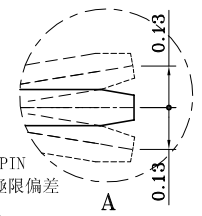
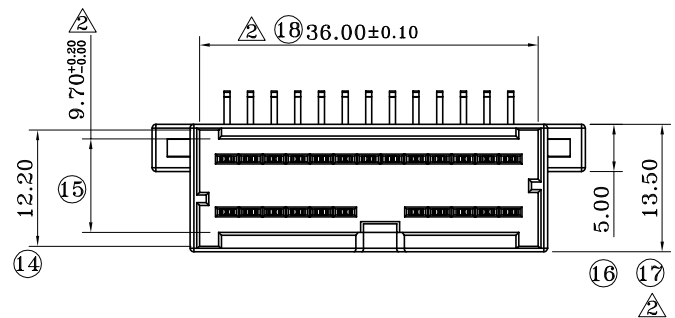
SECTION B-B



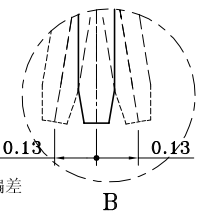
SECTION A-A



MASTER PART NO.1



0.13m為PIN
針上下極限偏差
SC 6:1



0.13m為PIN
針上下極限偏差
SC 6:1

Q040-PRE-2024-LF
LEADFREE
RoHS Compliant



PART NO. Q040-PRE-2024

DWG NO. Q040-PRE-2024

FILE NO.

CHECKED BY CY

DRAWING BY

TOLERANCES ARE
.X ±
.XX ±
.XXX ±
AWG

DESCRIPTION: 040 TYPE MALE HOUSING

煜倫股份有限公司

UNIT / mm

SCALE 1:1

PROJECTION

AREA	REVISIONS	HK	DATE
------	-----------	----	------