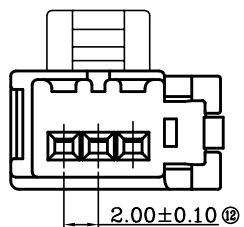
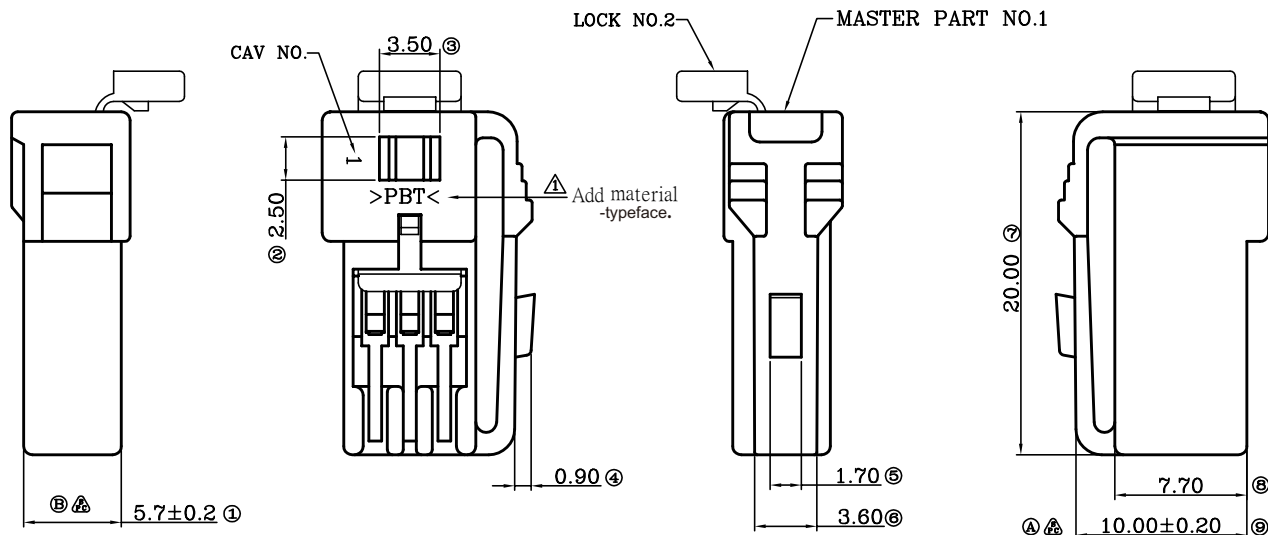


NOTE :  
 1.ALL THE DIMENSIONS ARE MEASURED UNDER GRADE "B" UNLESS OTHERWISE SPECIFIED.  
 2.NET WEIGHT OF THE PRODUCT: 0.91g



LOCK	2	---	PBT	WHITE
MASTER	1	---	PBT	WHITE
F. P.		1+2	PBT	WHITE
類別 Type	NO.	構成零件 Composed parts	材質 Material	顏色 Color

RoHS Compliant

TOLERANCES ARE

**MORETHANALL**  
 PCB CONNECTORS  
 Cable ASSEMBLIES

煜倫股份有限公司

www.morethanall.com

DRAWING BY CY

CHECKED BY GENIUS

UNIT / mm SCALE 1 : 1

DATE

SIZE A4

X, ±  
 .X ±  
 .XX ±  
 .XXX ±  
 ANG ±

PPOJECTION

照片框

ORDER INFORMATION

Q03020-S-03-LF

SERIES | LEADFREE

03 WAY

FEMALE HOUSING

DESCRIPTION: 030 type Female Housing