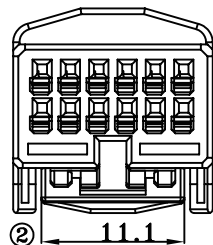
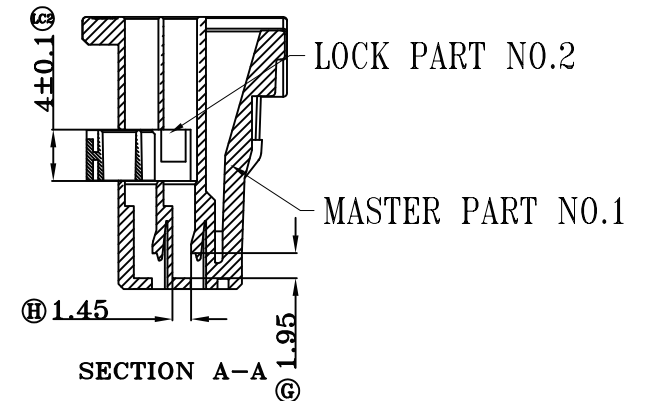
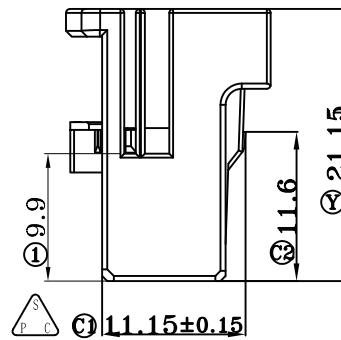
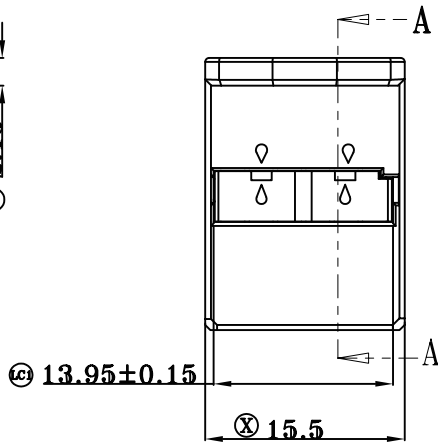
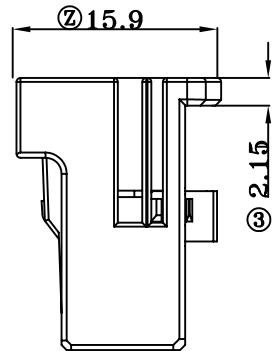


NOTE:
 1.ALL THE DIMENSIONS ARE MEASURED UNDER GRADE "B" UNLESS OTHERWISE SPECIFIED.
 2.Weight:2.3g



LOCK	2	---	PBT	WHITE
MASTER	1	---	PBT	WHITE
F.P		1+2	---	---
類別 Type	NO.	構成零件 Composed parts	材質 Material	顏色 Color

RoHS Compliant

TOLERANCES ARE

MORETHANALL
 PCB CONNECTORS
 Cable ASSEMBLIES

煜倫股份有限公司

www.morethanall.com

DRAWING BY CY

CHECKED BY GENIUS

UNIT / mm SCALE 1 : 1

DATE

SIZE A4

GRADE	A	B
<10.0	: ±0.15	±0.20
>10.0	: ±0.20	±0.30
>50.0	: ±0.30	±0.55
>100.0	: ±0.50	±0.95
>250.0	: ±0.75	±1.40
ANGLE	: ±30'	±30'

PJECTION

照片框

ORDER INFORMATION

Q02522-SHWH-2X06-LF

SERIES | LEADFREE
 | 12 WAY
 | WHITE
 HOUSING
 FEMALE

DESCRIPTION: 025 TYPE FEMALE HOUSING