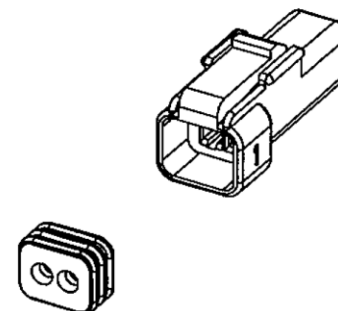
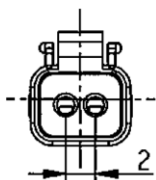


SECTION A-A



SCALE 2:1



NOTE:  
1. Applicable Insulation O.D: 1.4mm-1.7mm

RoHS Compliant

TOLERANCES ARE

**MORETHANALL**  
PCB CONNECTORS  
Cable ASSEMBLIES

煜倫股份有限公司

www.morethanall.com

DRAWING BY CY

CHECKED BY GENIUS

UNIT / mm

SCALE 1:1

DATE

SIZE A4

X, ±

.X ±

.XX ±

.XXX ±

ANG ±

PJECTION

照片框

ORDER INFORMATION

Q02520-SHxx-1X02-LF

SERIES

LEADFREE

02 WAY

FEMALE

BK: BLACK

BL: BLUE

WH: WHITE

HOUSING

RD: RED

DESCRIPTION: