

9	SHORT SHELL	1
8	LONG SHELL	1
7	BASE COVER	1
6	UPPER COVER	1
5	HOUSING	1
4	THIN SHORT PIN	2
3	THIN LONG PIN	2
2	THICK SHORT PIN	2
1	THICK LONG PIN	2
NO.	DESCRIPTION	Q'TY

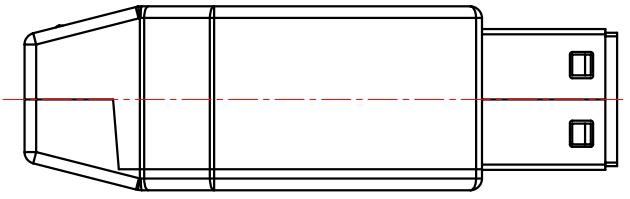
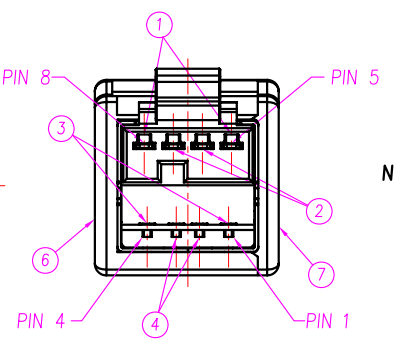
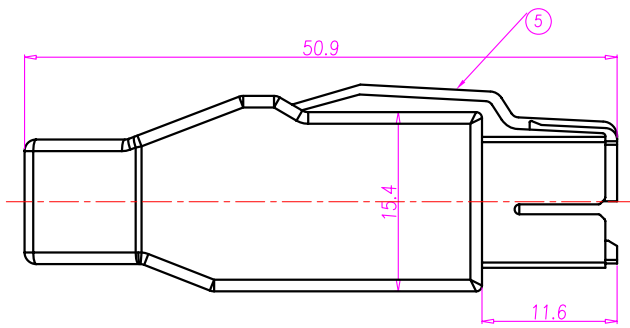
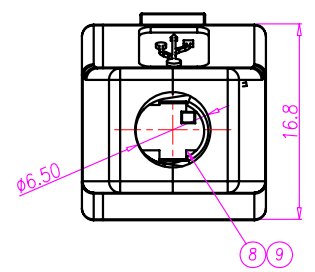


TABLE A

NOTE:
 1.ELECTRICAL PROPERTIES:
 1-1.RATING VOLTAGE AND CURRENT:1.5A AT 250V AC MIN,
 FOR POWER USB:3.0A AT 250V AC MIN.
 1-2.CONTACT RESISTANCE:30m Ohm MAX
 1-3.INSULATION RESISTANCE:1000M Ohm MIN AT DC500V.
 1-4.DIELECTRIC WITHSTANDING VOLTAGE:AC 500V/1 MINUTE.
 2.MATERIAL:
 2-1.PIN:PHOSPHOR BRONZE(C5191R-1/2H).
 2-2.HOUSING: NYLON 9T.
 2-3.UPPER COVER:ABS.
 2-4.BASE COVER:ABS.
 2-5.LONG SHELL:PHOSPHOR BRONZE(C5191R-1/2H).
 2-6.SHORT SHELL:PHOSPHOR BRONZE(C5191R-1/2H).
 3.PLATING:
 3-1.PINS: GOLD 10u" MIN ON CONTACT AREA,
 SHINE TIN 80u" MIN ON SOLDER TAILS,
 UNDERPLATED NICKEL OVER ALL 50u" MIN.
 3-2.SHELL: SHINE TIN OVER ALL 150u" MIN.

PWUB-MS05VBG-044A	USB POWER 8PIN(M) 5V TYPE H=14.77(具規格外徑OD=6.5)
P/N	DESCRIPTION

PWUB-MS05VBG-044A-LF
 LEADFREE
 RoHS Compliant



煜倫股份有限公司

PART NO. PWUB-MS05VBG-044A		CHECKED BY CY	TOLERANCES ARE .X ± 0.2 .XX ± .XXX ± AWG	DESCRIP TION:			
DWG NO. PWUB-MS05VBG-044A							
FILE NO.		DRAWING BY	AREA	REVISIONS	HK	DATE	
UNIT / mm	SCALE 1:1	PROJECTION					