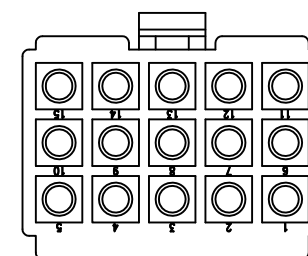
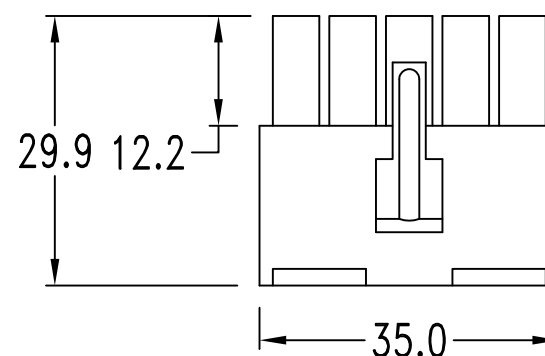
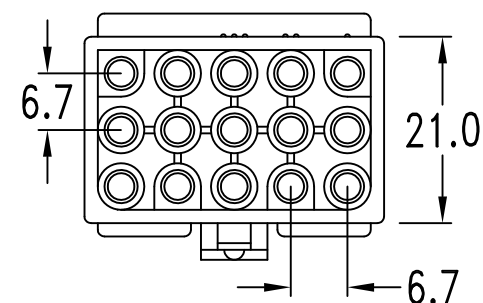


### Features:

- Material: UL 94V-2 nylon 66
- Integrally molded polarization
- Positive locking
- Integrally molded mounting ears available on plug only
- Standard color natural. Can be color coded in black, brown, green, gray, orange, amber, red or yellow
- .264"(6.71mm) grid pattern

### Features:

- Current rating: 6A AC, DC
- Voltage rating: 600V AC,DC
- High Voltage test-withstands 1500 volts
- Storage temperature range: -40°C ~ 105°C



PWL-S-3X05-LF  
LEADFREE

RoHS Compliant



煜倫股份有限公司

PART NO. PWL-S-3X05		CHECKED BY CY		TOLERANCES ARE X. ± .X ± 0.4 .XX ± 0.25 .XXX ± 0.08 ANG	DESCRIPTION: .093"(2.36mm) Diameter Connector Housing			
DWG NO. PWL-S-3X05		DRAWING BY			AREA	REVISIONS	DATE	
UNIT / mm	SCALE 1:1	PROJECTION						