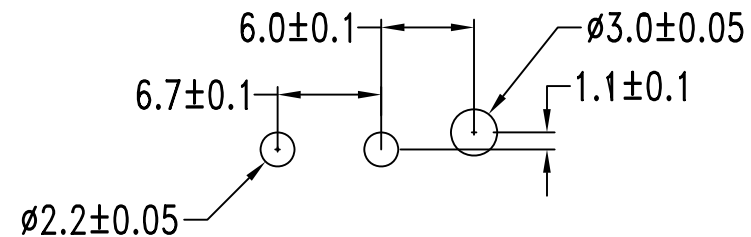
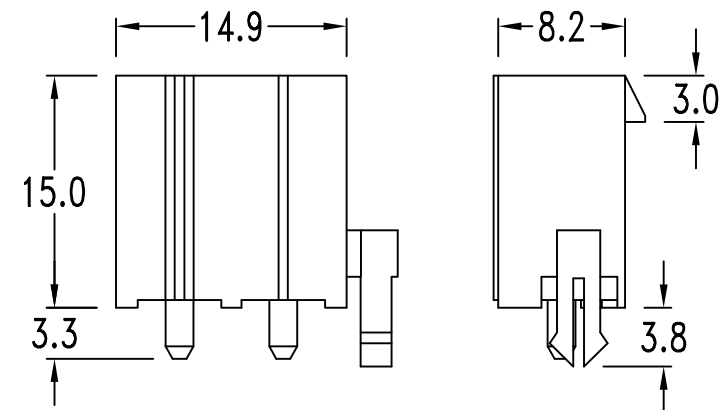
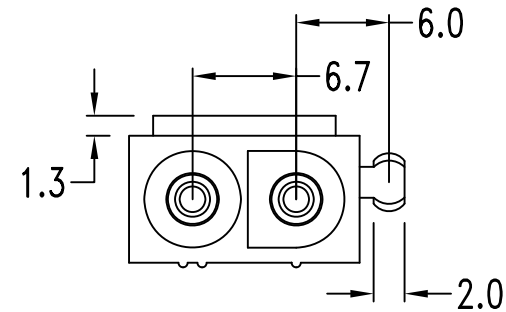


## Features:

- Insulation material: UL 94V-2 nylon 66
- Contact material: Tin-plated brass
- Standard color: Nature

## Specifications:

- Current rating: 12A AC, DC
- Voltage rating: 600V AC, DC
- Dielectric withstanding voltage: 5000V AC rms
- Ambient temperature range:  $-40^{\circ}\text{C} \sim 105^{\circ}\text{C}$   
(Including temperature rise)



P. C. board hole dimensions

RoHS Compliant

TOLERANCES ARE

**MORETHANALL**  
PCB CONNECTORS  
Cable ASSEMBLIES

DRAWING BY CY

X. ±

CHECKED BY GENIUS

.X ±

UNIT / mm

SCALE 1 : 1

.XX ±

DATE

.XXX ±

ANG ±

SIZE A4

P PROJECTION

照片框

ORDER INFORMATION

PWL-PDP-1X02-LF

SERIES | | | LEADFREE  
| | | 02 WAY  
| | | POST  
| | | DIP 180°  
| | | MALE

煜倫股份有限公司

www.morethanall.com

DESCRIPTION: .093"(6.7mm) Vertical Header