

NOTES:

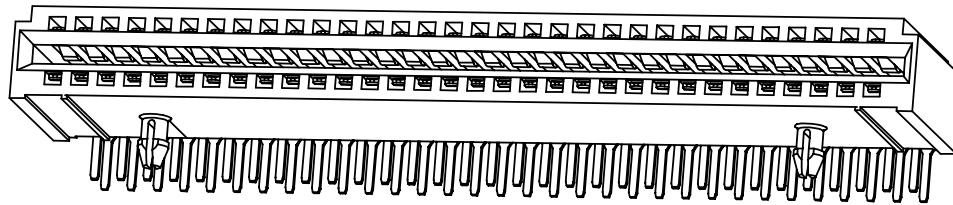
1. MATERIAL:

1-1 HOUSING:HIGH TEMP THERMOPLASTIC,UL94V-0.

1-2 POWER CONTACT:HIGH PERFORMANCE COPPER ALLOY

PLATING : 50u" MIN NICKEL UNDERPLATING OVER ALL

2. REFLOW SOLDER CAPABLE TO 260°C



BOARD LOCK TYPE

RoHS Compliant

TOLERANCES ARE

MORETHANALL
PCB CONNECTORS
Cable ASSEMBLIES

煜倫股份有限公司

www.morethanall.com

DRAWING BY CY

CHECKED BY GENIUS

UNIT / mm

SCALE 1:1

DATE

SIZE A4

X. ± 0.50

.X ± 0.38

.XX ± 0.25

.XXX ± 0.15

ANG ± 2°

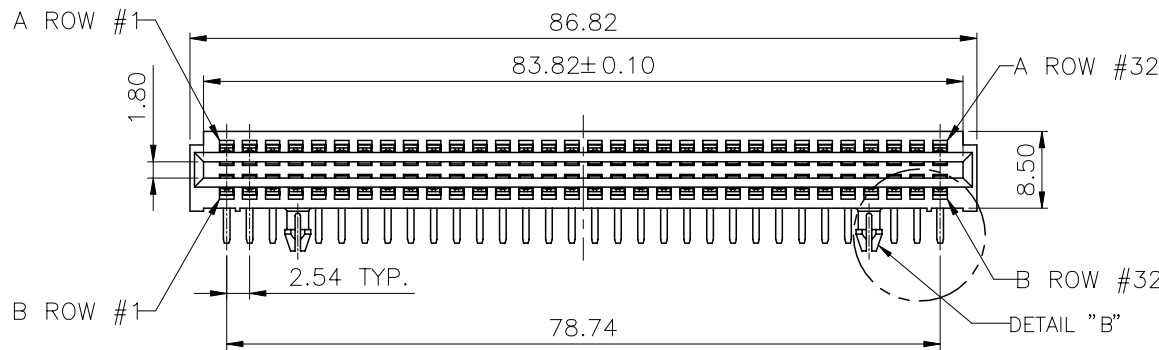
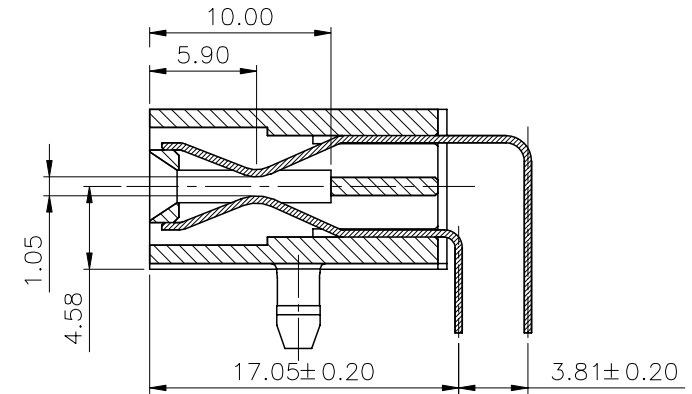
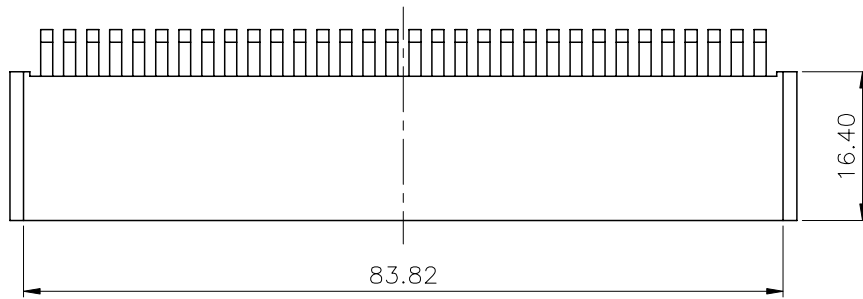
PPOJECTION

照片框

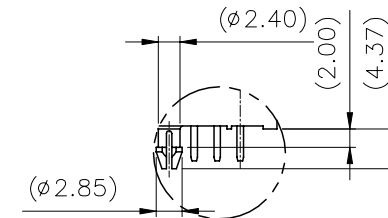
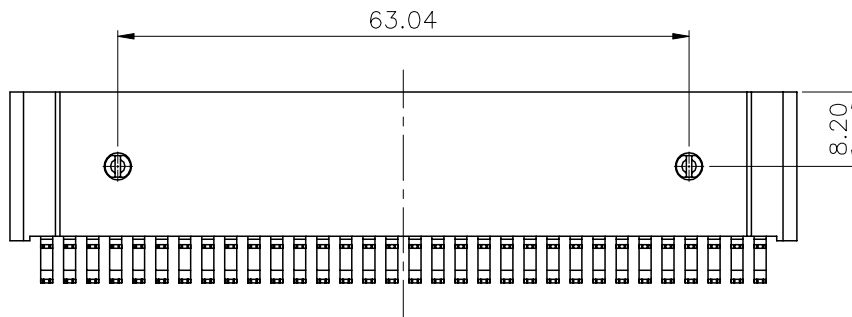
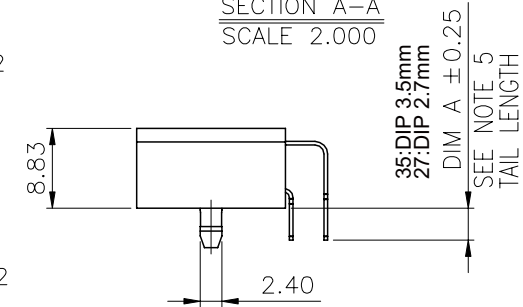
ORDER INFORMATION

PWE-RxxL-064-LF
SERIES | | | LEADFREE
| | | 64 WAY
| | | BOARD LOCK
| | | 35:DIP 3.5mm
| | | 27:DIP 2.7mm
| | | DIP 90°

DESCRIPTION: POWER CARD EDGE CONNECTOR



SECTION A-A
SCALE 2.000



DETAIL "B"
BOARD LOCK TYPE

RoHS Compliant

TOLERANCES ARE

MORETHANALL
PCB CONNECTORS
Cable ASSEMBLIES

DRAWING BY CY

X. ± 0.50

CHECKED BY GENIUS

.X ± 0.38

UNIT / mm

SCALE 1 : 1

.XX ± 0.25

DATE

.XXX ± 0.15

ANG ± 2°

SIZE A4

PJECTION

照片框

ORDER INFORMATION

PWE-RxxL-064-LF

SERIES LEADFREE

64 WAY
BOARD LOCK

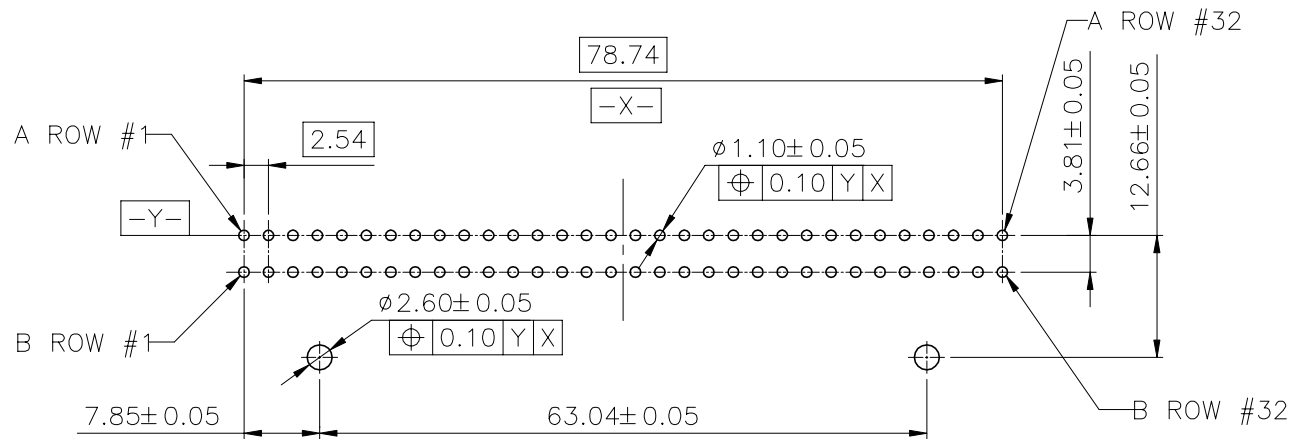
35:DIP 3.5mm
27:DIP 2.7mm

DIP 90°

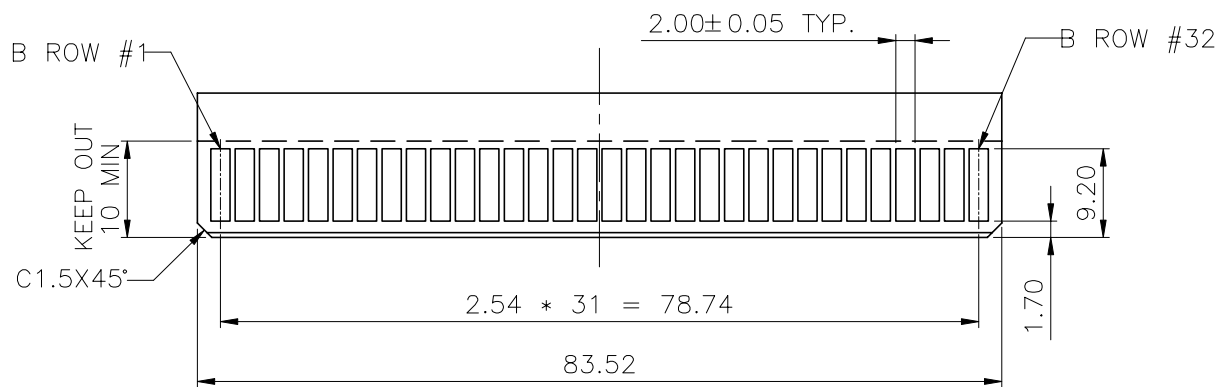
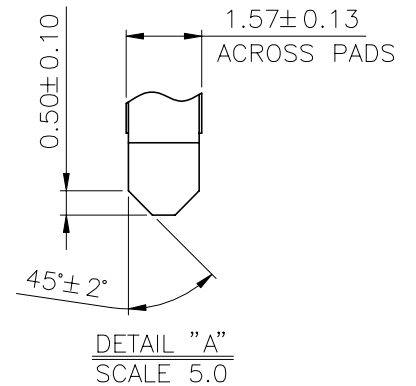
煜倫股份有限公司

www.morethanall.com

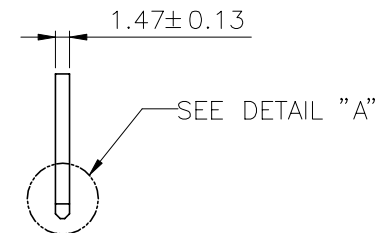
DESCRIPTION: POWER CARD EDGE CONNECTOR



RECOMMEND PCB LAYOUT



RECOMMEND DAUGHTER CARD LAYOUT (TOP SIDE)



RoHS Compliant

TOLERANCES ARE

MORETHANALL
PCB CONNECTORS
Cable ASSEMBLIES

煜倫股份有限公司

www.morethanall.com

DRAWING BY CY

CHECKED BY GENIUS

UNIT / mm

SCALE 1 : 1

DATE

SIZE A4

X. ± 0.50

.X ± 0.38

.XX ± 0.25

.XXX ± 0.15

ANG ± 2°

PJECTION

照片框

ORDER INFORMATION

PWE-RxxL-064-LF
SERIES | LEADFREE
64 WAY
BOARD LOCK
35:DIP 3.5mm
27:DIP 2.7mm
DIP 90°

DESCRIPTION: POWER CARD EDGE CONNECTOR