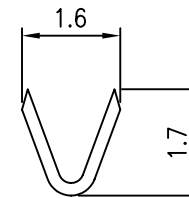
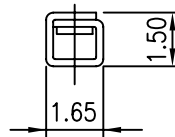
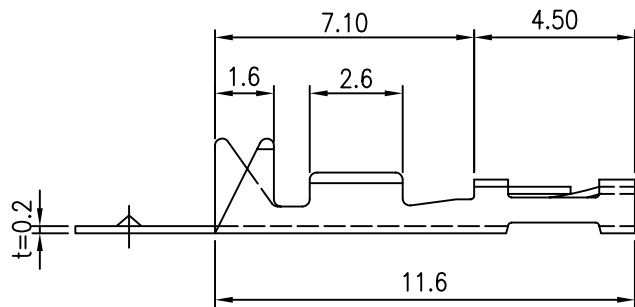


A-A SECTION

■ **TERMINAL**

- Material: Brass
- Thickness: 0.2mm
- Plating: Tin plated 60u", Gold
- Wire Range: Suitable for AWG#22~28
- Insulation O.D: 1.7mm(max)
- Recommends this terminal be used in housing having few poles
- Q'TY: 10,000 pcs/roll



B-B SECTION

Ordering Information

Part No.	Wire Range	Insulation O.D.	Material	Finish	Q'ty/roll	Note
PVK-T-22	AWG #22~#28	1.7mm(max)	Brass	Tin-Plated	10,000pcs	

RoHS Compliant

TOLERANCES ARE

**MORETHANALL**  
PCB CONNECTORS  
Cable ASSEMBLIES

煜倫股份有限公司

www.morethanall.com

DRAWING BY CY

CHECKED BY GENIUS

UNIT / mm

SCALE 1 : 1

DATE

SIZE A4

X. ±

.X ±

.XX ±

.XXX ±

ANG ±

PJECTION

照片框

ORDER INFORMATION

PVK-T-22-LF  
SERIES | T LEADFREE  
22~28 AWG  
TERMINAL

DESCRIPTION: 2.54mm Pitch Terminal