

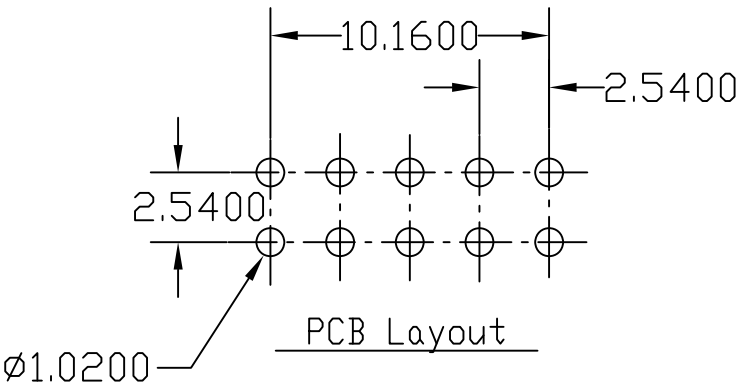
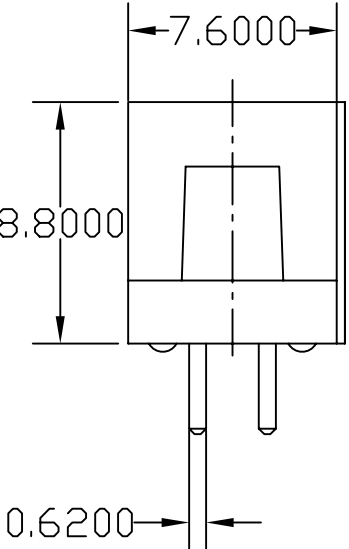
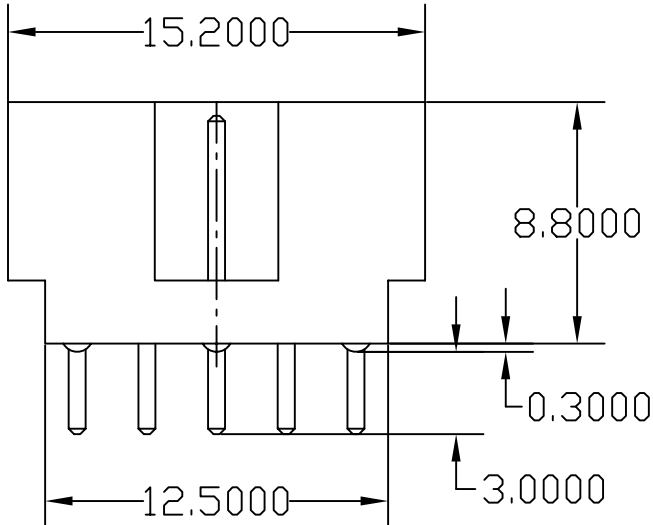
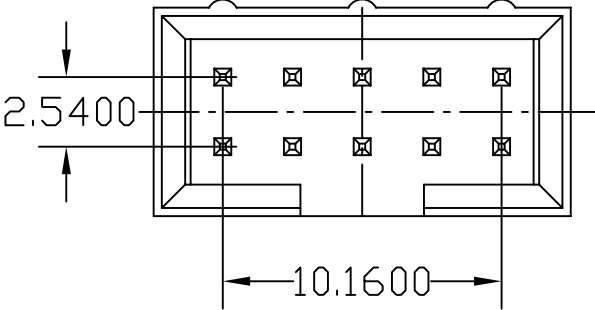
SPECIFICATIONS

MATERIAL:

- 1. Insulator : nylon polymer UL 94-V0
- 2. Color : Black
- 3. Contacts : Sq 0.64mm Gold/Tin Sletive Plated

ELECTRICAL:

- 1. Current Rating : 1.5 AMP
- 2. Operation Temperature : -40°C to + 105°C
- 3. Contact Resistance : 10 Milliohms MAX
- 4. Insulation Resistance : 1000 Milliohms MIN
- 5. Dielectric Withstanding Voltage : 500V AC



RoHS Compliant

TOLERANCES ARE



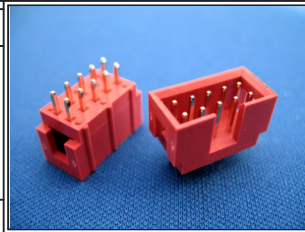
煜倫股份有限公司

www.morethanall.com

DRAWING BY CY
 CHECKED BY GENIUS
 UNIT / mm SCALE 1:1
 DATE

X.±
 .X±
 .XX±
 .XXX±
 ANG±

SIZE A4 PROJECTION



ORDER INFORMATION

PVK-DBRD-2X05-LF
 SERIES | RED | LEADFREE
 BOX | 10 WAY
 DIP 180°

DESCRIPTION: Box Header