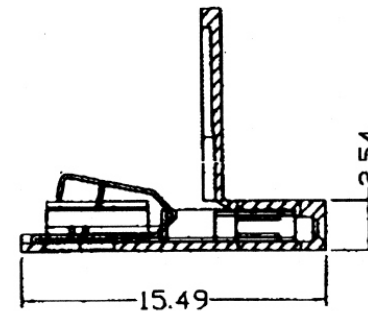
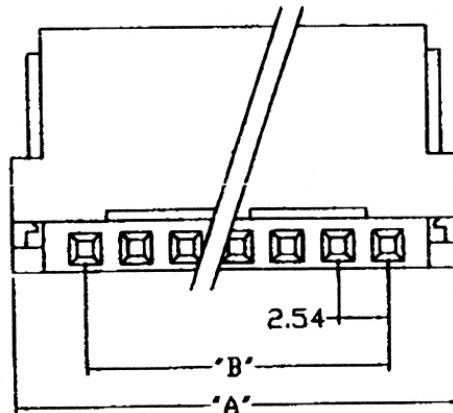
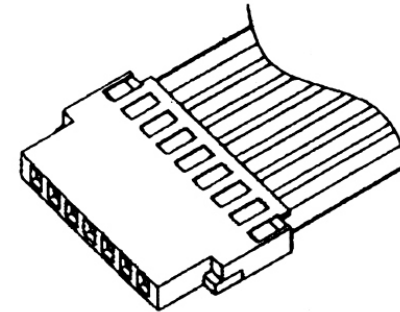
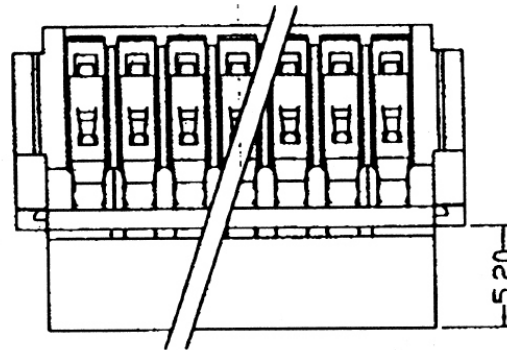


Material:  
 Contact pin: phosphor bronze  
 Base: Nylon 66 UL 94V-O  
 Pitch: 2.54mm

**SPECIFICATIONS**

- Voltage rating: 15V AC.DC
- Withstand voltage: 1000V/minute
- Withstand humidity: 30%~90%
- Temperature range: -60°C~+105°C



POSITION	"A"	"B"
2 P	9.91	2.54
3 P	12.45	5.08
4 P	14.99	7.62
5 P	17.53	10.16
6 P	20.07	12.70
7 P	22.61	15.24
8 P	25.15	17.78
9 P	27.69	20.32
10 P	30.23	22.86
11 P	32.77	25.40
12 P	35.31	27.94
13 P	37.85	30.48
14 P	40.39	33.02
15 P	42.93	35.56
16 P	45.47	38.10
17 P	48.01	40.64
18 P	50.55	43.18
19 P	53.09	45.72
20 P	55.63	48.26
21 P	58.17	50.80
22 P	60.71	53.34
23 P	63.25	55.88
24 P	65.79	58.42
25 P	68.33	60.96
26 P	70.87	63.50
27 P	73.41	66.04
28 P	75.95	68.58
29 P	78.49	71.12
30 P	81.03	73.66
31 P	83.57	76.20
32 P	86.11	78.74

RoHS Compliant

TOLERANCES ARE

**MORETHANALL**  
 PCB CONNECTORS  
 Cable ASSEMBLIES

煜倫股份有限公司

www.morethanall.com

DRAWING BY CY

CHECKED BY GENIUS

UNIT / mm

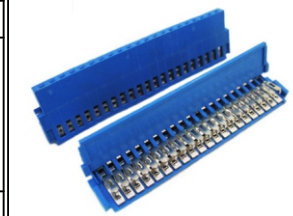
SCALE 1 : 1

DATE

SIZE A4

P PROJECTION

X ±  
 .X ±  
 .XX ±  
 .XXX ±  
 ANG ±



ORDER INFORMATION

PVF-HI-1Xxx-LF  
 SERIES | LEADFREE  
 | 1X02:02 WAY  
 | 1X32:32 WAY  
 IDT  
 HOUSING

DESCRIPTION: