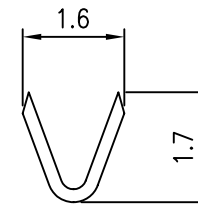
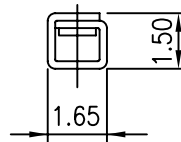
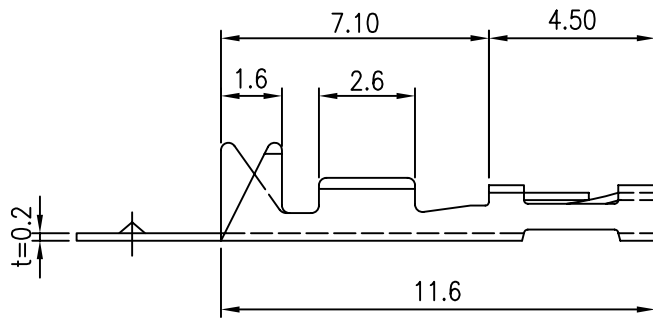


A-A SECTION



B-B SECTION

■ **TERMINAL**

- Material: Brass
- Thickness: 0.2mm
- Plating: Tin plated 60u", Gold
- Wire Range: Suitable for AWG#22~28
- Insulation O.D: 1.7mm(max)
- Recommends this terminal be used in housing having few poles
- Q'TY: 10,000 pcs/roll

Ordering Information

Part No.	Wire Range	Insulation O.D.	Material	Finish	Q'ty/roll	Note
PV-TG-22	AWG #22~#28	1.7mm(max)	Brass	Gold Flash	10,000pcs	

RoHS Compliant

TOLERANCES ARE

MORETHANALL
PCB CONNECTORS
Cable ASSEMBLIES

DRAWING BY CY

X. ±

CHECKED BY GENIUS

.X ±

UNIT / mm

SCALE 1 : 1

.XX ±

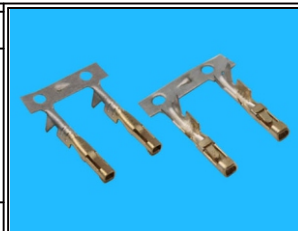
DATE

.XXX ±

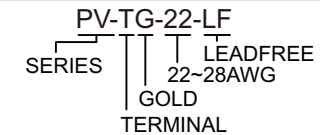
ANG ±

SIZE A4

PPOJECTION



ORDER INFORMATION



煜倫股份有限公司

www.morethanall.com

DESCRIPTION: 2.54mm Pitch Terminal