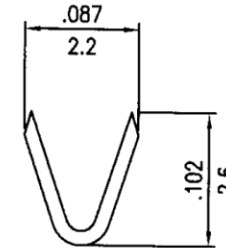
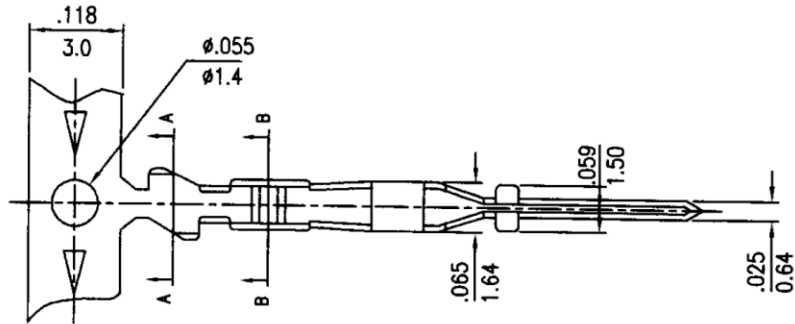
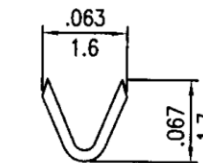
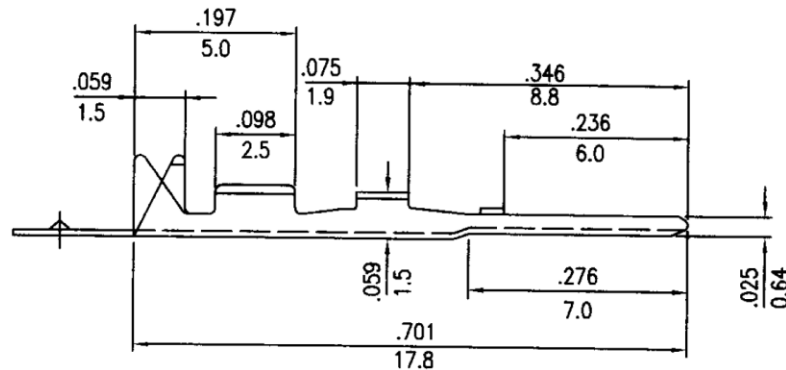


- * Material:Brass
- * Finished:Tin-plated 60u" or gold-plated
- * Wire range:AWG#22~#28
- * Insulation O.D:1.70mm(max)
- * Thickness:0.2mm
- * Q'TY:10,000pcs/reel

inches
mm



A-A SECTION



B-B SECTION

RoHS Compliant

TOLERANCES ARE

MORETHANALL
PCB CONNECTORS
Cable ASSEMBLIES

DRAWING BY CY

CHECKED BY GENIUS

UNIT / mm

SCALE 1 : 1

DATE

SIZE A4

PPOJECTION

X.±
.X±
.XX±
.XXX±
ANG±

照片框

ORDER INFORMATION

PV-M-22-LF
SERIES | LEADFREE
22~28AWG
MALE TERMINAL

煜倫股份有限公司

www.morethanall.com

DESCRIPTION: