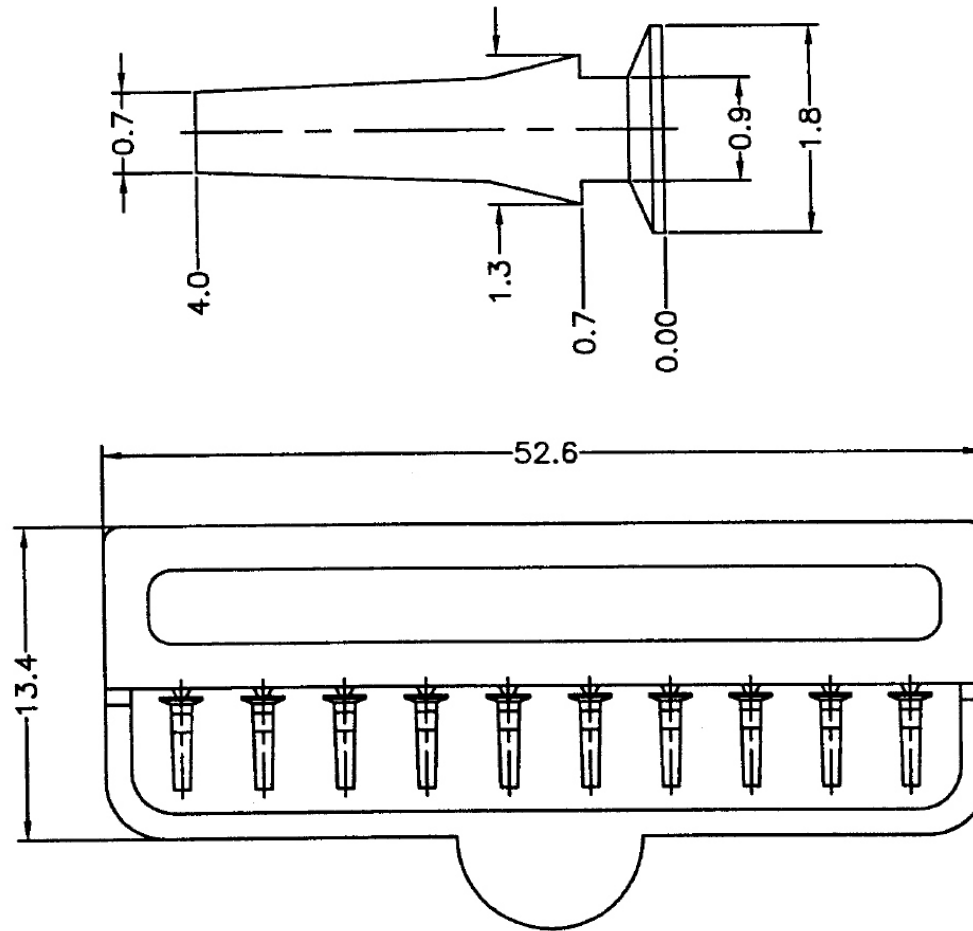
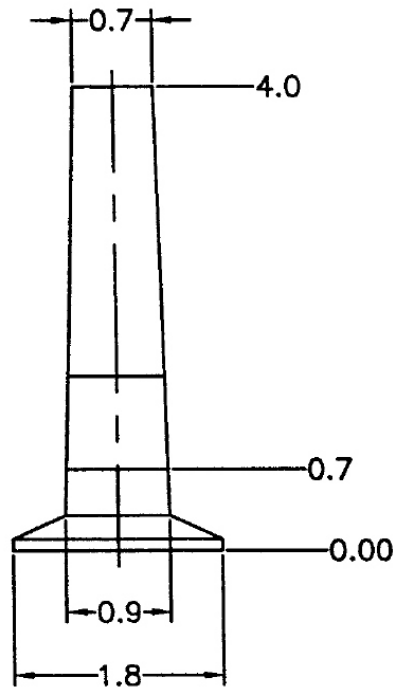


Material:P.B.T UL 94V-0



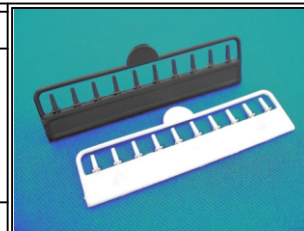
RoHS Compliant

TOLERANCES ARE

**MORETHANALL**  
PCB CONNECTORS  
Cable ASSEMBLIES

DRAWING BY CY  
CHECKED BY GENIUS  
UNIT / mm SCALE 1 : 1  
DATE

X. ±  
.X ±  
.XX ±  
.XXX ±  
ANG ±



ORDER INFORMATION

PV-Kxx-10-LF  
SERIES | LEADFREE  
10 WAY  
BK:BLACK  
WH:WHITE  
KEY

煜倫股份有限公司

www.morethanall.com

SIZE A4 PROJECTION

DESCRIPTION :