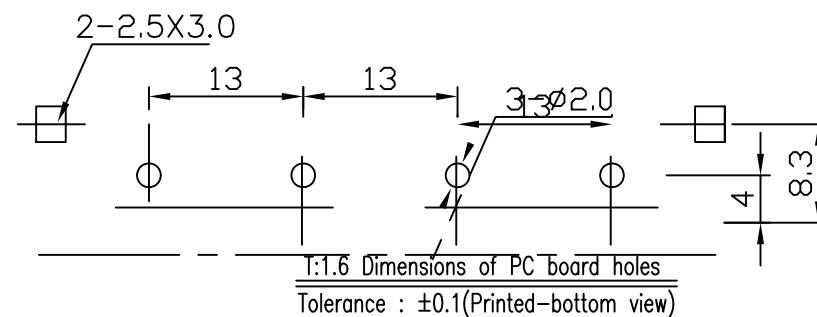
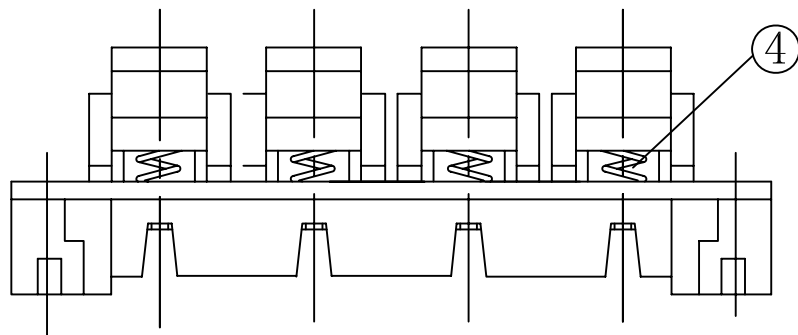


PT13-RE-1X04				
TYPE	A	B	C	D
	COLOR			



UNLESS OTHERWISE SPECIFIED, TOLERANCE ON DECIMAL: ± 0.3

4	SPRING	4	SWC D=0.5	
3	CONTACT	4	C2680 t=0.5	MB:Cu Cu/Sn PLATED
2	PUSH PLATE	4	ABS	
1	HOUSING	1	ABS	
LTR	PART NAME	QTY	MATERIAL(THICK,COLOR)	REMARK

RoHS Compliant

TOLERANCES ARE

MORETHANALL
PCB CONNECTORS
Cable ASSEMBLIES

煜倫股份有限公司

www.morethanall.com

DRAWING BY CY

CHECKED BY GENIUS

UNIT / mm SCALE 1 : 1

DATE

SIZE A4

X. \pm
.X \pm
.XX \pm
.XXX \pm
ANG \pm

PJECTION

照片框

ORDER INFORMATION

PT13-RE-1X04-LF
SERIES | LEADFREE
| 04 WAY
| EAR
| DIP 90°

DESCRIPTION: PUSH TERMINAL