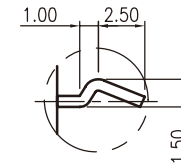
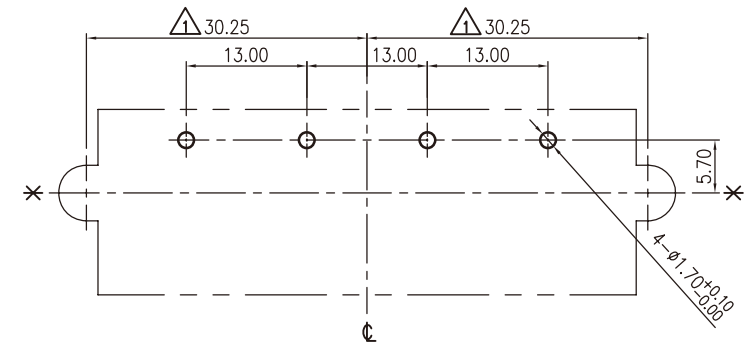


Detail A
Scale:2:1



Detail B
Scale:2:1



P.C.B Layout Dimension (Tolerance:±0.10)
(Recommend min.Dimension)(bottom view)

4	SPRING	4	SWA	Ø0.55
3	CONTACT	4	Brass	t=0.60
2	PUSH PLATE	4	PBT+GF	UL 94V-0
1	HOUSING	1	PBT+GF	UL 94V-0
LTR	PART NO.	QTY	MATERIAL	

UNLESS OTHERWISE SPECIFIED, TOLERANCE ON DECIMAL: ±0.3 ANGLES: ±5°

RoHS Compliant

TOLERANCES ARE

MORETHANALL
PCB CONNECTORS
Cable ASSEMBLIES

DRAWING BY CY

X.±

CHECKED BY GENIUS

.X±

UNIT / mm

SCALE 1 : 1

.XX±

DATE

.XXX±

ANG ±

SIZE A4

PJECTION

照片框

ORDER INFORMATION

PT13-DE-1X04-LF
SERIES | LEADFREE
| 04 WAY
| EAR
| DIP 180°

煜倫股份有限公司

www.morethanall.com

DESCRIPTION: