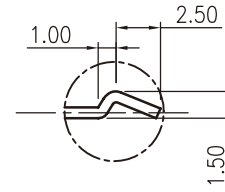
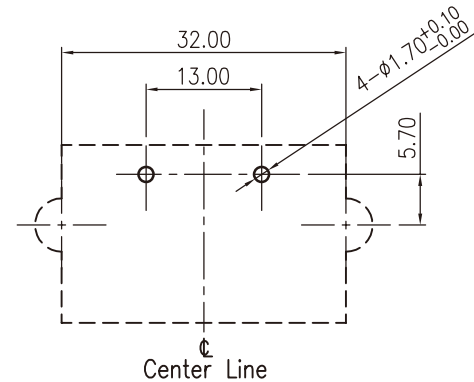
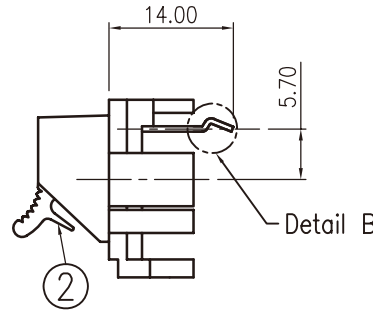
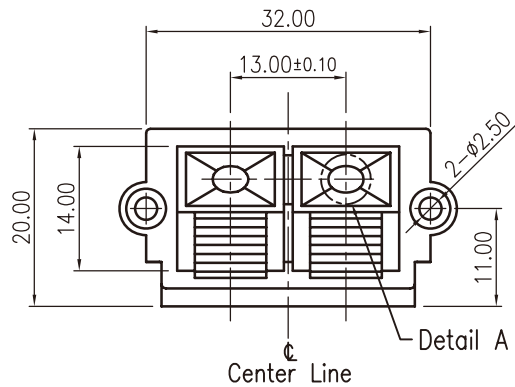


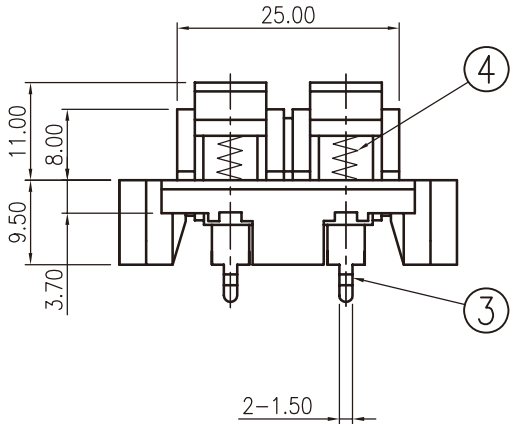
Detail A
Scale:1:2



Detail B
Scale:1:2



P.C.B Layout Dimension (Tolerance:±0.1)
(Recommend min.Dimension)(bottom view)



4	SPRING	2	SWA	ø0.55	
3	CONTACT	2	Brass	t=0.6	
2	PUSH PLATE	2	PBT+GF	UL 94V-0	
1	HOUSING	1	PBT+GF	UL 94V-0	
LTR	PART NO.	QTY	MATERIAL		REMARK

UNLESS OTHERWISE SPECIFIED, TOLERANCE ON DECIMAL: ±0.3 FRACTIONS: ANGLES: ±5°

RoHS Compliant

TOLERANCES ARE

MORETHANALL
PCB CONNECTORS
Cable ASSEMBLIES

煜倫股份有限公司

www.morethanall.com

DRAWING BY CY

CHECKED BY GENIUS

UNIT / mm SCALE 1 : 1

DATE

SIZE A4

X, ±
.X ±
.XX ±
.XXX ±
ANG ±

PJECTION

照片框

ORDER INFORMATION

PT13-DE-1X02-LF
SERIES | LEADFREE
| 02 WAY
| EAR
| DIP 180°

DESCRIPTION: PUSH TERMINAL