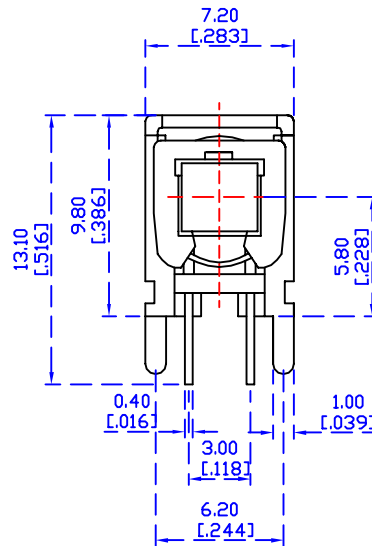
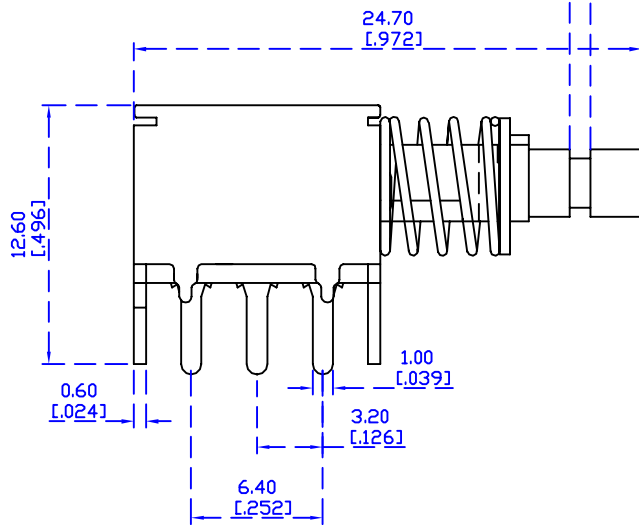


2.50 ± 0.3mm TOTAL TRAVEL
[.098]

3.50 ± 0.3mm DOCK TRAVEL
[.138]



| | | | | |
|-----|--------------|----------------|-------|-----------|
| 7 | TERMINAL | BRASS STRIP | 6 | AG CLAD |
| 6 | BASE | PHENOLIC RESIN | 1 | NATURAL |
| 5 | FRAME | SPCC | 1 | NI |
| 4 | CONTACT CLIP | PBS | 2 | AG |
| 3 | SPRING | SUS | 1 | NATURAL |
| 2 | ERING | SPCC | 1 | NI |
| 1 | SLIDER | POM | 1 | BLUE |
| NO. | NAME | MATERIAL | Q' TY | FINISHING |

SPECIFICATIONS *NON SHORTING
 Function :Lock Rating : 0.3A 50V DC
 Contact Resistance : 50mΩ Max 50毫歐以下
 Insulation Resistance : 500V DC 1Min 100MΩ Min 100兆歐以上
 Withstand Voltage: AC 500V 1Min 0.5mA 1Min
 Operating Fore :300gf ± 50gf
 Life Test :10,000Cycles 15~18 Cycles/Min

PSW3230-RM-06-LF
LEADFREE

RoHS Compliant

MORE THAN ALL
CONNECTORS
ASSEMBLIES

PART NO. PSW3230-RM-06

DWG NO. PSW3230-RM-06

FILE NO.

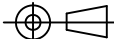
UNIT / mm

SCALE 1:1

CHECKED BY CY

DRAWING BY

PROJECTION



TOLERANCES ARE

.X ±
.XX ±
.XXX ±
AWG

DESCRIPTION:

Switches

AREA

REVISIONS

HK

DATE

焯倫股份有限公司