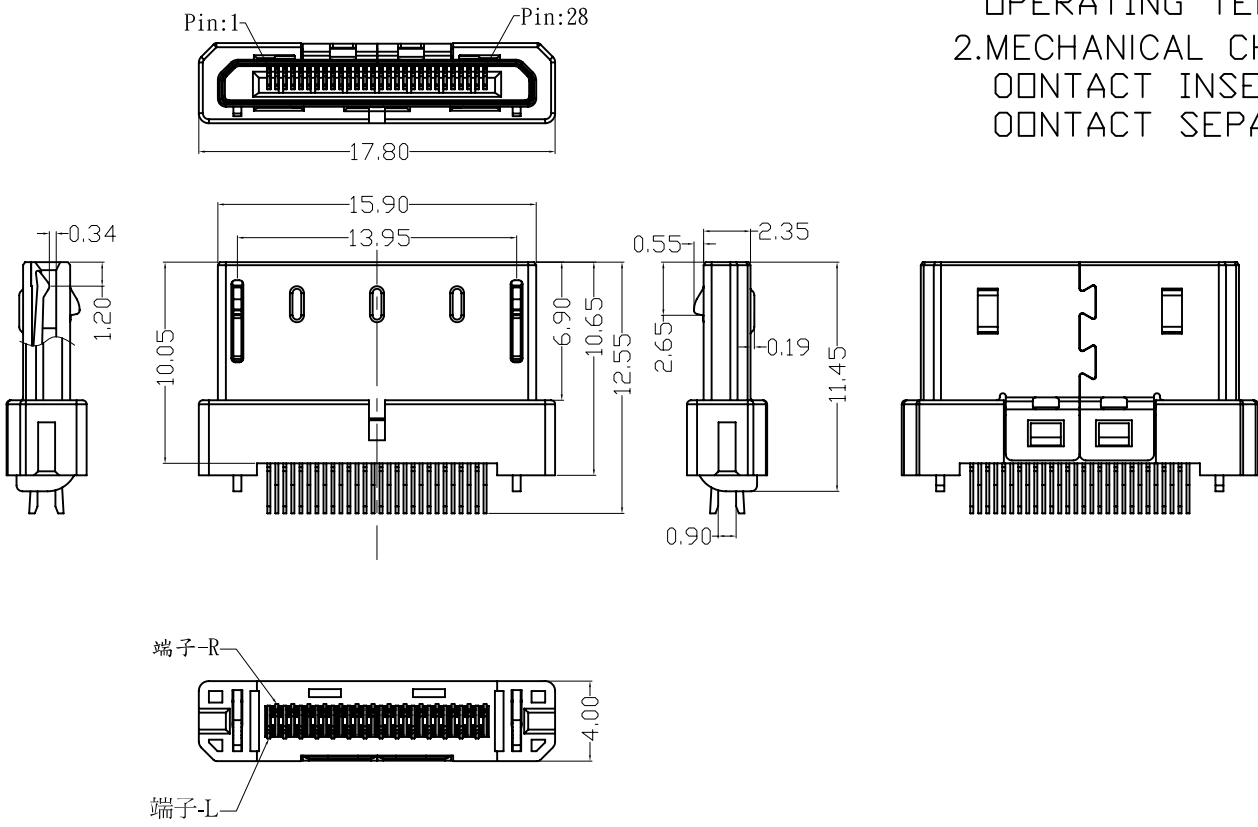


NOTES:

- 1.ELECTRICAL SPECIFICATION:  
 DIELECTRIC WITHSTANDING VOLTAGE :AC 100V R.M.S.  
 INSULATION RESISTANCE:100M MIN. AT DC 100V  
 CONTACT RESISTANCE: 60mΩ MAX.  
 OPERATING TEMPERATURE:-35 °C TO 80 °C
- 2.MECHANICAL CHARACTERISTICS:  
 CONTACT INSERTION FORCE:4.0Kgf MAX.  
 CONTACT SEPARATION FORCE:0.7Kgf MIN.

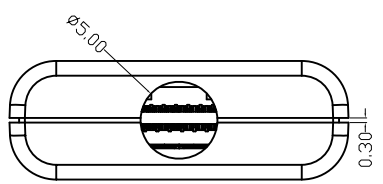
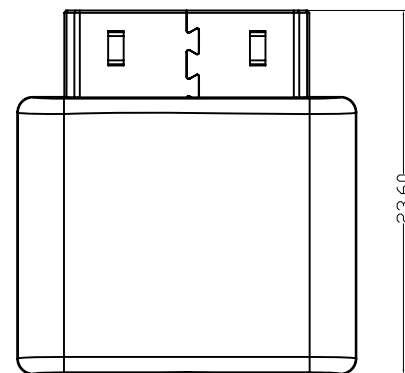
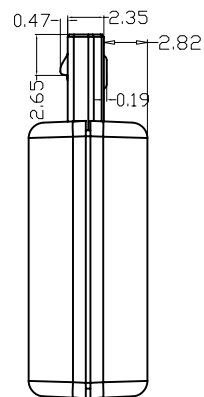
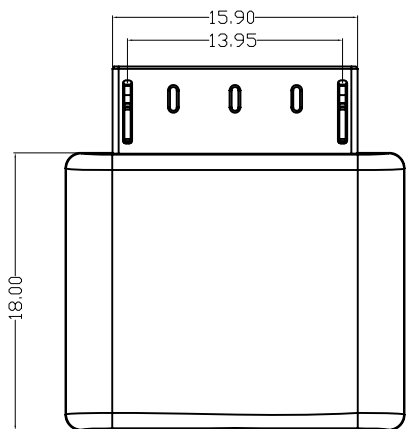
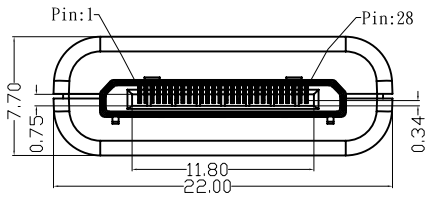


PSP-PA-28-LF  
 LEADFREE  
 RoHS Compliant



A	PART NO. PSP-PA-28		CHECKED BY CY	TOLERANCES ARE .X ± 0.2 .XX ± .XXX ± AWG	DESCRIP TION:	AREA	REVISIONS	HK	DATE
	DWG NO. PSP-PA-28								
B	FILE NO.		PROJECTION						
	UNIT / mm	SCALE 1:1							

煜倫股份有限公司



NOTES:

- 1.ELECTRICAL SPECIFICATION:
  - DIELECTRIC WITHSTANDING VOLTAGE :AC 100V R.M.S.
  - INSULATION RESISTANCE:100M MIN. AT DC 100V
  - CONTACT RESISTANCE: 60mΩ MAX.
  - OPERATING TEMPERATURE:-35 C TO 80 °C
- 2.MECHANICAL CHARACTERISTICS:
  - CONTACT INSERTION FORCE:4.0Kgf MAX.
  - CONTACT SEPARATION FORCE:0.7Kgf MIN.

**MORETHANALL**  
CONNECTORS  
ASSEMBLIES

PART NO. PSP-PA-28

DWG NO. PSP-PA-28

CHECKED BY CY

TOLERANCES ARE

DESCRIP TION:

FILE NO.

DRAWING BY

.X ± 0.2  
.XX ±  
.XXX ±  
AWG

煜倫股份有限公司

UNIT / mm

SCALE 1:1

PROJECTION

AREA

REVISIONS

HK

DATE