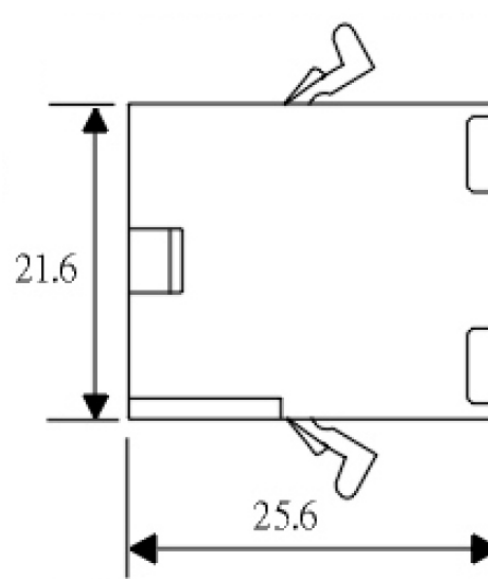
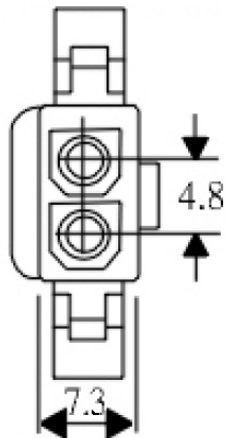
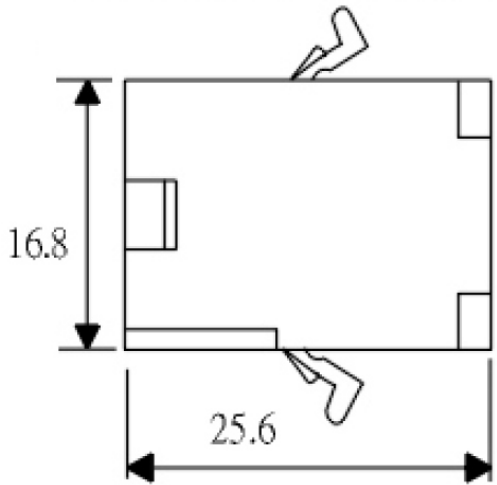
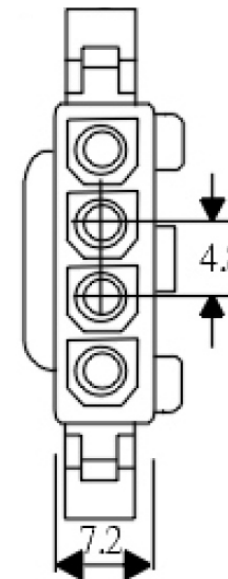


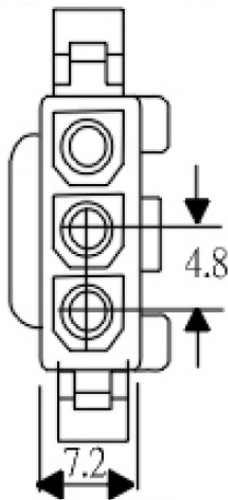
PSL-PE-1X02



PSL-PE-1X04



PSL-PE-1X03



**MORETHANALL**  
CONNECTORS  
ASSEMBLIES

煜倫股份有限公司

PART NO. PSL-PE-1Xxx		CHECKED BY CY		TOLERANCES ARE .X ± 0.2 .XX ± .XXX ± AWG	DESCRIPTION:			
DWG NO. PSL-PE-1Xxx		DRAWING BY						
FILE NO.		PROJECTION		AREA	REVISIONS	HK	DATE	
UNIT / mm	SCALE 1:1							