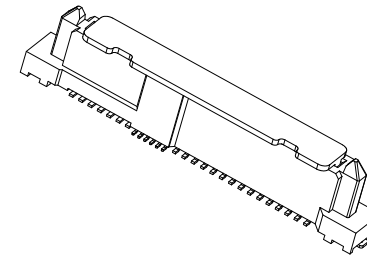


RECOMMENDED PCB LAYOUT (TOP VIEW)  
TOLERANCE: ±0.05mm



NOTE

1.MATERIAL

HOUSING : HIGE THERMOPLASTIC, UL94V-0,BLACK. ; TERMINAL : COPPER ALLOY.  
BOARD LOCK : COPPER ALLOY. ; GROUND : STAINLESS STEEL.

2.PLATING

TERMINAL : 30u" Au ON CONTACT AREA,  
100u" MIN. Sn PLATED ON SOLDER TAIL AREA,  
BOTH OVER 50u" MIN. Ni UNDERPLATED OVERALL.  
BOARD LOCK : 100u" MIN.Sn PLATED ON SOLDER TAIL AREA,  
BOTH OVER 50u" MIN. Ni UNDERPLATED OVERALL.  
GROUND : WELDABLE Ni OVERALL.

RoHS Compliant

TOLERANCES ARE

**MORETHANALL**  
PCB CONNECTORS  
Cable ASSEMBLIES

DRAWING BY CY

X, ±

CHECKED BY GENIUS

.X ± 0.20

UNIT / mm

SCALE 1 : 1

.XX ± 0.15

DATE

.XXX ±

ANG ± 3°

SIZE A4

PJECTION

照片框

ORDER INFORMATION

PSAS-SVEP1S30CR-68-LF

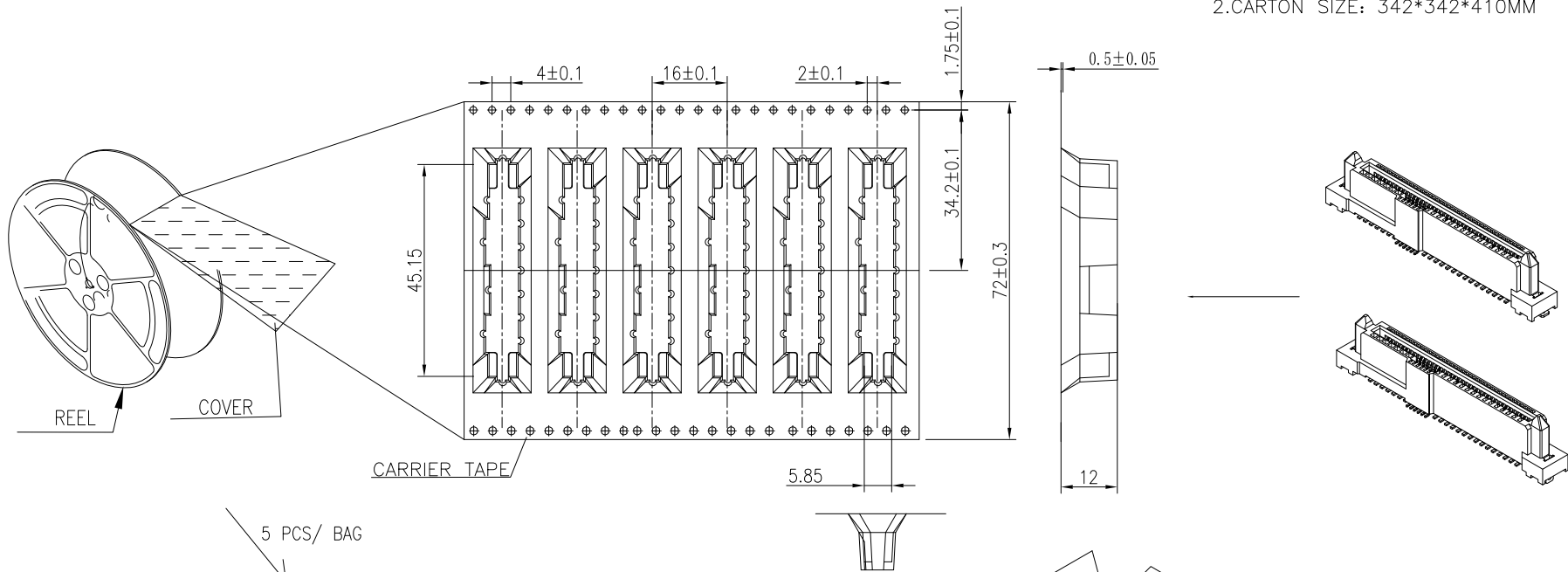
SERIES | | | | | LEADFREE  
| | | | | 68 WAY  
| | | | | REEL  
| | | | | CAP  
FEMALE | | | | SEMI GOLD 30u"  
180°SMT | | | | EAR+POST

DESCRIPTION: PCI-E SAS 68PIN Vertical SMT Female

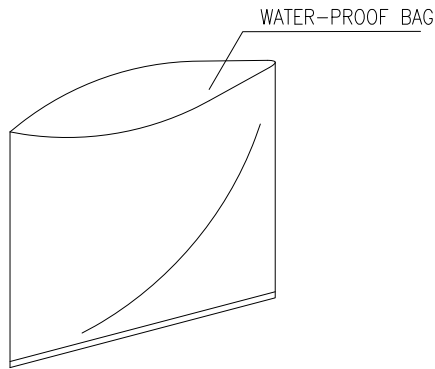
煜倫股份有限公司

www.morethanall.com

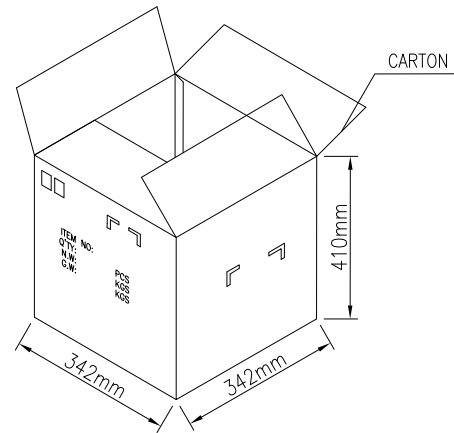
NOTE:  
 1.PACKING:300PCS/REEL,1500PCS/CTN  
 2.CARTON SIZE: 342\*342\*410MM



5 PCS/ BAG



1 BAG/ CTN



**RoHS Compliant**

TOLERANCES ARE

**MORETHANALL**  
 PCB CONNECTORS  
 Cable ASSEMBLIES

DRAWING BY CY

X, ±

CHECKED BY GENIUS

.X ± 0.20

UNIT / mm

SCALE 1 : 1

.XX ± 0.15

DATE

.XXX ±

ANG ± 3°

SIZE A4

PPOJECTION

照片框

**ORDER INFORMATION**

**PSAS-SVEP1S30CR-68-LF**

SERIES | | | | | LEADFREE  
 | | | | | 68 WAY  
 | | | | | REEL  
 | | | | | CAP  
 FEMALE | | | | | SEMI GOLD 30u"  
 180°SMT | | | | | EAR+POST

DESCRIPTION: PCI-E SAS 68PIN Vertical SMT Female

煜倫股份有限公司

www.morethanall.com