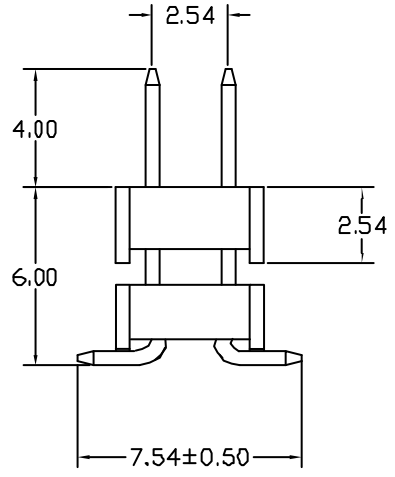
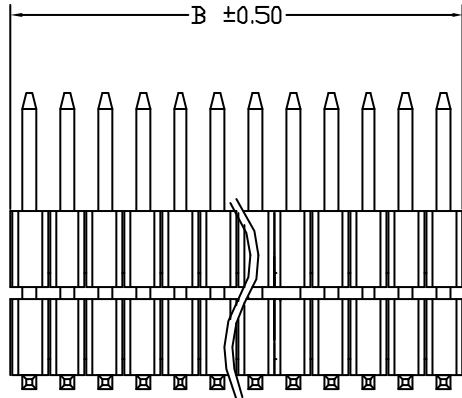
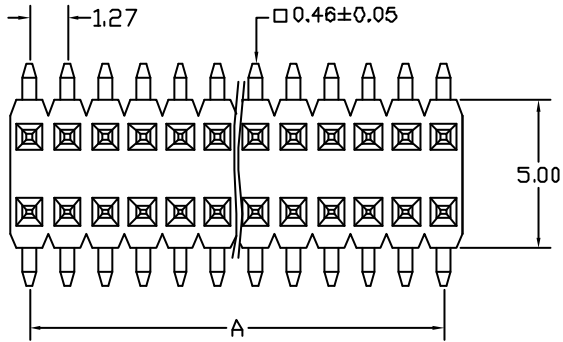
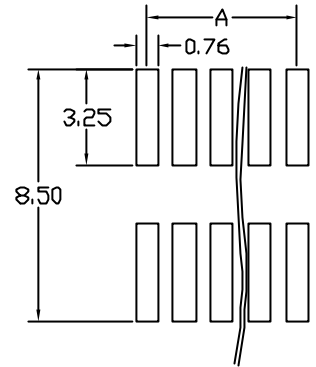


| No. of Contacts | DIMENSIONS |       | REMARK<br>(mm) |
|-----------------|------------|-------|----------------|
|                 | A          | B     |                |
| 6               | 2.54       | 3.81  |                |
| 8               | 3.81       | 5.08  |                |
| 10              | 5.08       | 6.35  |                |
| 12              | 6.35       | 7.62  |                |
| 14              | 7.62       | 8.89  |                |
| 16              | 8.89       | 10.16 |                |
| 18              | 10.16      | 11.43 |                |
| 20              | 11.43      | 12.70 |                |
| 22              | 12.70      | 13.97 |                |
| 24              | 13.97      | 15.24 |                |
| 26              | 15.24      | 16.51 |                |
| 28              | 16.51      | 17.78 |                |
| 30              | 17.78      | 19.05 |                |
| 32              | 19.05      | 20.32 |                |
| 34              | 20.32      | 21.59 |                |
| 36              | 21.59      | 22.86 |                |
| 38              | 22.86      | 24.13 |                |
| 40              | 24.13      | 25.40 |                |
| 42              | 25.40      | 26.67 |                |
| 44              | 26.67      | 27.94 |                |
| 46              | 27.94      | 29.21 |                |
| 48              | 29.21      | 30.48 |                |
| 50              | 30.48      | 31.75 |                |
| 52              | 31.75      | 33.02 |                |
| 54              | 33.02      | 34.29 |                |
| 56              | 34.29      | 35.56 |                |
| 58              | 35.56      | 36.83 |                |
| 60              | 36.83      | 38.10 |                |
| 62              | 38.10      | 39.37 |                |
| 64              | 39.37      | 40.64 |                |
| 66              | 40.64      | 41.91 |                |
| 68              | 41.91      | 43.18 |                |
| 70              | 43.18      | 44.45 |                |
| 72              | 44.45      | 45.72 |                |
| 74              | 45.72      | 46.99 |                |
| 76              | 46.99      | 48.26 |                |
| 78              | 48.26      | 49.53 |                |
| 80              | 49.53      | 50.80 |                |
| 82              | 50.80      | 52.07 |                |
| 84              | 52.07      | 53.34 |                |
| 86              | 53.34      | 54.61 |                |
| 88              | 54.61      | 55.88 |                |
| 90              | 55.88      | 57.15 |                |
| 92              | 57.15      | 58.42 |                |
| 94              | 58.42      | 59.69 |                |
| 96              | 59.69      | 60.96 |                |
| 98              | 60.96      | 62.23 |                |
| 100             | 62.23      | 63.50 | ⊕              |



Recommended P.C.Board Hole Layout



PS-V060X40-2Xxx-LF  
 X:W/O POST LEADFREE

**SPECIFICATIONS**

Current Rating: 1 Amp  
 Insulator resistance: 5000 Megohms min.  
 Dielectric withstanding: AC 500 V  
 Operating Temperature: -40~+105°C  
 Max Processing Temp: 230° for 30 seconds  
 Contact Material: Copper Alloy  
 Insulator Material: High Temperature plastic,UL 94V-0  
 Finish: Tin,Gold plated  
 © Standard: Gold flash all over

**RoHS Compliant**



煜倫股份有限公司

|                          |           |               |  |               |           |    |      |
|--------------------------|-----------|---------------|--|---------------|-----------|----|------|
| PART NO. PS-V060X40-2Xxx |           | CHECKED BY CY | TOLERANCES ARE<br>.X ± 0.2<br>.XX ±<br>.XXX ±<br>AWG | DESCRIP TION: |           |    |      |
| DWG NO. PS-V060X40-2Xxx  |           |               |  |               |           |    |      |
| FILE NO.                 |           | DRAWING BY    |  | AREA          | REVISIONS | HK | DATE |
| UNIT / mm                | SCALE 1:1 | PROJECTION    |  |               |           |    |      |