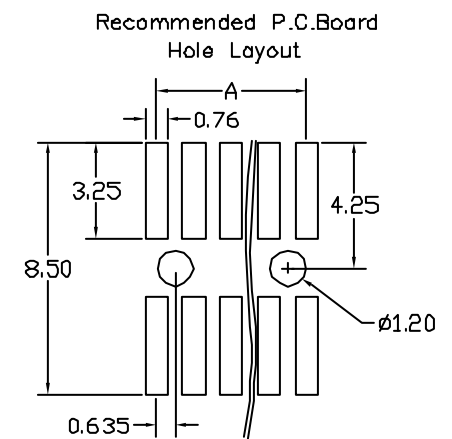
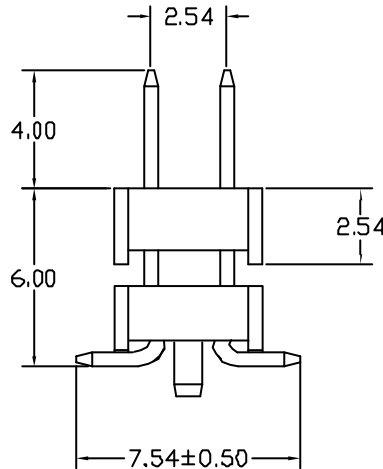
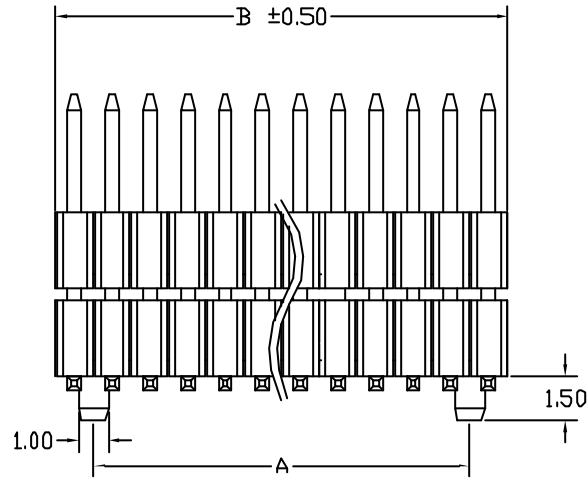
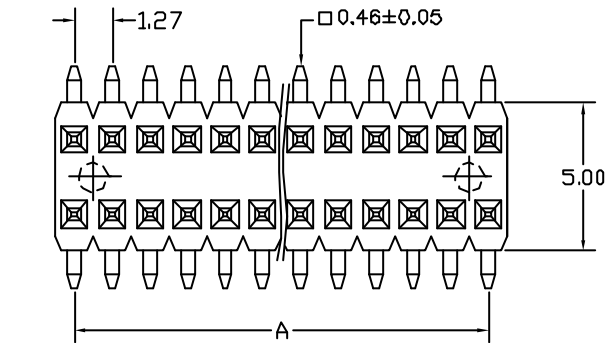


No. of Contacts	DIMENSIONS		REMARK (備註)
	A	B	
6	2.54	3.81	
8	3.81	5.08	
10	5.08	6.35	
12	6.35	7.62	
14	7.62	8.89	
16	8.89	10.16	
18	10.16	11.43	
20	11.43	12.70	
22	12.70	13.97	
24	13.97	15.24	
26	15.24	16.51	
28	16.51	17.78	
30	17.78	19.05	
32	19.05	20.32	
34	20.32	21.59	
36	21.59	22.86	
38	22.86	24.13	
40	24.13	25.40	
42	25.40	26.67	
44	26.67	27.94	
46	27.94	29.21	
48	29.21	30.48	
50	30.48	31.75	
52	31.75	33.02	
54	33.02	34.29	
56	34.29	35.56	
58	35.56	36.83	
60	36.83	38.10	
62	38.10	39.37	
64	39.37	40.64	
66	40.64	41.91	
68	41.91	43.18	
70	43.18	44.45	
72	44.45	45.72	
74	45.72	46.99	
76	46.99	48.26	
78	48.26	49.53	
80	49.53	50.80	
82	50.80	52.07	
84	52.07	53.34	
86	53.34	54.61	
88	54.61	55.88	
90	55.88	57.15	
92	57.15	58.42	
94	58.42	59.69	
96	59.69	60.96	
98	60.96	62.23	
100	62.23	63.50	



SPECIFICATIONS
 Current Rating: 1 Amp
 Insulator resistance: 5000 Megohms min.
 Dielectric withstanding: AC 500 V
 Operating Temperature: -40°~+105°C
 Max Processing Temp: 230° for 30 seconds
 Contact Material: Copper Alloy
 Insulator Material: High Temperature plastic, UL 94V-0
 Finish: Tin, Gold plated
 © Standard: Gold flash all over

PS-V060P40-2Xxx-LF
 P:W/I POST LEADFREE

RoHS Compliant



PART NO. PS-V060P40- 2Xxx

DWG NO. PS-V060P40- 2Xxx

CHECKED BY CY

TOLERANCES ARE

DESCRIP TION:

FILE NO.

DRAWING BY

.X ± 0.2
.XX ±
.XXX ±
AWG

AREA

REVISIONS

HK

DATE

UNIT / mm

SCALE 1:1

PROJECTION

煜倫股份有限公司