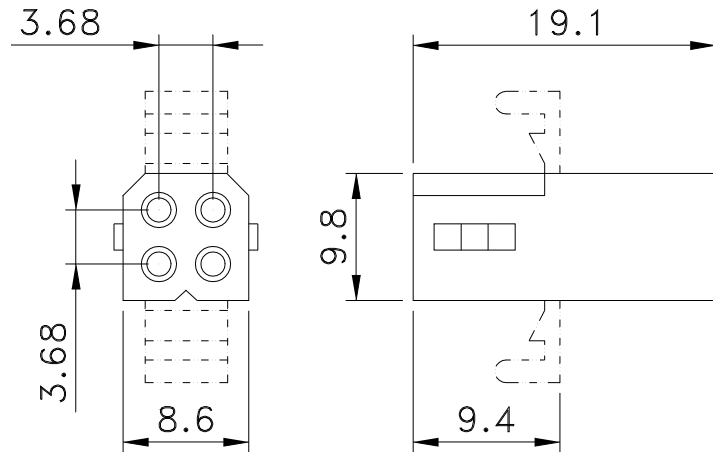
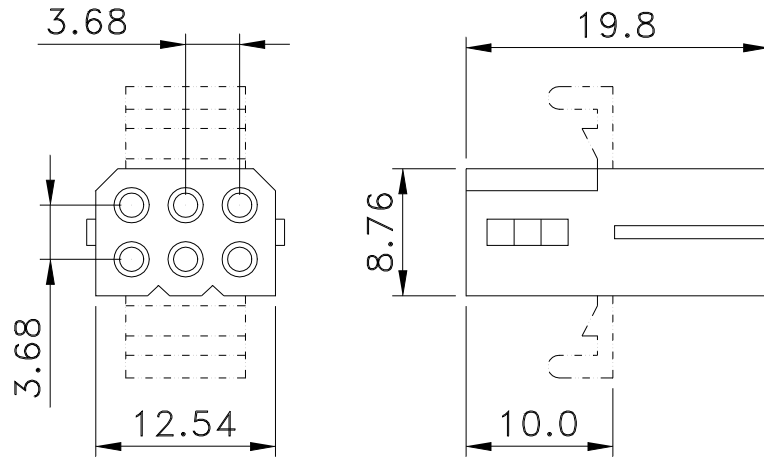


SPECIFICATIONS:

Current rating:5.0A AC,DC
 Voltage rating:250V AC,DC
 Contact resistance:20MΩ max
 Insulation resistance: 1,000MΩ min
 Withstanding voltage:1,500V AC/minute
 Temperature range:-25°C to +125°C
 Application wires:AWG#26 to #18

MATERIAL:

Insulator: Nylon 66 UL94V-0
 Contact: Brass
 Finish: Tin Plated



MORETHANALL
 CONNECTORS
 ASSEMBLIES

煜倫有限公司

PART NO. PS-Sx-2Xxx

DWG NO. PS-Sx-2Xxx

FILE NO.

UNIT / mm

SCALE 1:1

APPROVED BY CY

DRAWING BY

PROJECTION 

TOLERANCES ARE

.X
 .XX
 .XXX
 AWG

DESCRIPTION:

AREA

REVISIONS

HK

DATE